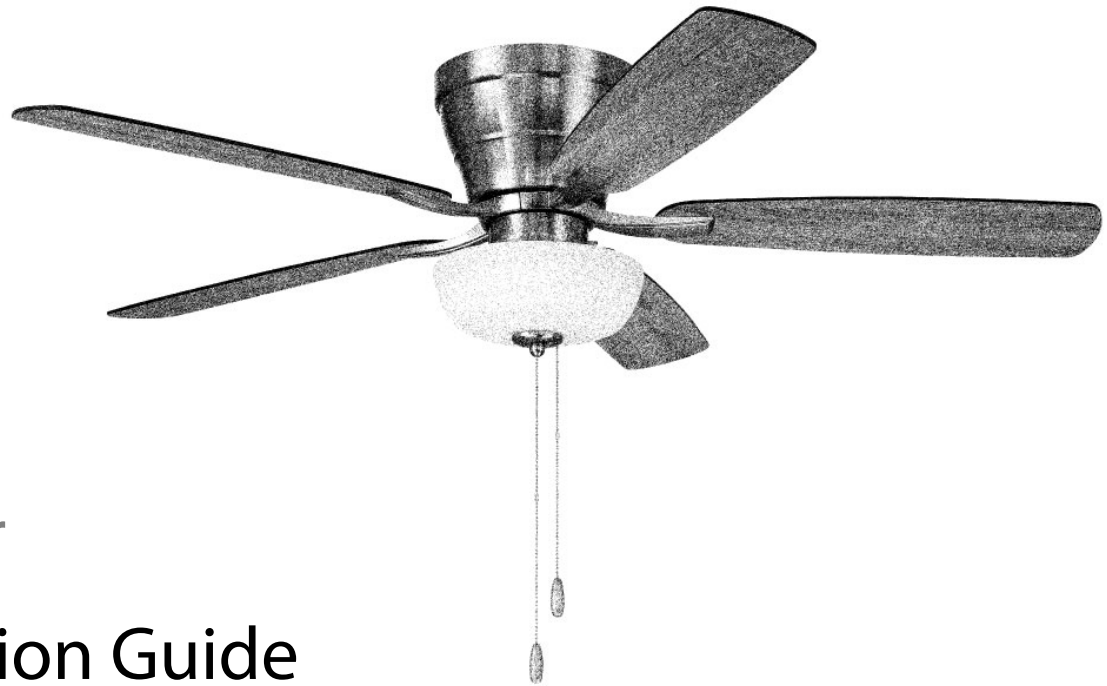


# CRAFTMADE™

READ THESE INSTRUCTIONS AND  
SAVE THEM FOR FUTURE USE



## Wheeler

# Installation Guide

For Model:  
**WHL42**  
**WHL52**

### Table of Contents:

Safety Tips. pg. 2  
Unpacking Your Fan. pg. 3  
Parts Inventory. pg. 3  
Installation Preparation. pg. 4  
Hanging Bracket Installation. pg. 4  
Preparation for Wiring. pg. 5  
Wiring. pg. 5  
Fan Assembly. pg. 6  
Motor Housing Assembly. pg. 6  
Blade Assembly. pg. 7  
Light Kit Assembly (Optional). pgs. 7 - 8  
Testing Your Fan. pg. 9  
Troubleshooting. pg. 10  
Parts, Replacement or  
Technical Assistance. pg. 10  
Warranty. pg. 10



**Intertek**  
4007498

net weight of WHL42 fan: 13.32lb (6.04 kg)  
net weight of WHL52 fan: 14.88lb (6.75 kg)

PRINTED IN CHINA

# SAFETY TIPS.

**READ ALL INSTRUCTIONS AND SAFETY INFORMATION CAREFULLY BEFORE INSTALLING YOUR FAN AND SAVE THESE INSTRUCTIONS.**

## WARNING

- To reduce the risk of electrical shock, turn off the electricity to the fan at the main fuse box or circuit panel before you begin fan installation or before servicing the fan or installing accessories.
- To reduce the risk of fire, electrical shock, or personal injury, mount to the outlet box marked "Acceptable for Fan Support of 15.9 kg (35 lb) or less," and use the mounting screws provided with the outlet box. Most outlet boxes commonly used for the support of lighting fixtures are not acceptable for fan support and may need to be replaced. Consult a qualified electrician if in doubt.
- To reduce the risk of fire, electrical shock, or personal injury, wire connectors provided with this fan are designed to accept only one 12-gauge house wire and two lead wires from the fan. If your house wire is larger than 12-gauge or there is more than one house wire to connect to the corresponding fan lead wires, consult an electrician for the proper size wire connectors to use.
- To reduce the risk of fire or electrical shock, do not use this fan with any solid state speed control device or control fan speed with a full range dimmer switch. [Using a full range dimmer switch to control fan speed will cause a loud humming noise from fan.]
- To reduce the risk of personal injury, do not bend the blade arms during assembly or after installation.
- To reduce the risk of personal injury or damage to the fan, do not insert anything between the fan blades while they are rotating.
- To reduce the risk of serious bodily injury, DO NOT use power tools to assemble any part of the fan, including the blades.
- To avoid personal injury or damage to the fan and other items, be cautious when working around or cleaning the fan.
- This fan **MUST** be installed with the safety cable provided with the fan. Failure to use the safety cable provided may result in personal injury, damage to the fan or damage to other property.
- To avoid personal injury, the use of gloves may be necessary while handling fan parts with sharp edges.
- To reduce the risk of personal injury, use only parts provided with this fan. **The use of parts OTHER than those provided with this fan will void the warranty.**

## CAUTION

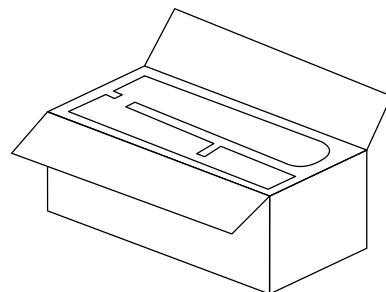
- Changes or modifications not approved by the party responsible for compliance could void the user's authority to operate the equipment. [The equipment refers to the remote and/or wall control and/or LED light kit.]  
NOTE: This equipment has been tested and found to comply with the limits for a Class B digital device, pursuant to Part 15 of the FCC Rules. These limits are designed to provide reasonable protection against harmful interference in a residential installation. This equipment generates, uses and can radiate radio frequency energy and, if not installed and used in accordance with the instructions, may cause harmful interference to radio communications. However, there is no guarantee that interference will not occur in a particular installation. If this equipment does cause harmful interference to radio or television reception, which can be determined by turning the equipment off and on, the user is encouraged to try to correct the interference by one or more of the following measures:
  - \* Reorient or relocate the receiving antenna.
  - \* Increase the separation between the equipment and receiver.
  - \* Connect the equipment into an outlet on a circuit different from that to which the receiver is connected.Consult the dealer or an experienced radio/TV technician for help.
- The LED light kit complies with Part 15 of the FCC Rules. Operation is subject to the following two conditions: (1) this LED light kit may not cause harmful interference, (2) this LED light kit must accept any interference received, including interference that may cause undesired operation.
  1. Make sure all electrical connections comply with Local Codes or Ordinances, the National Electrical Code, and ANSI/NFPA 70-1999. If you are unfamiliar with electrical wiring or if the house/building wires are different colors than those referred to in the instructions, please use a qualified electrician.
  2. Make sure you have a location selected for your fan that allows clear space for the blades to rotate and at least seven (7) feet (2.13 meters) of clearance between the floor and the fan blade tips. The fan should be mounted so that the tips of the blades are at least thirty (30) inches (76 centimeters) from walls or other upright structures.
  3. The outlet box and ceiling support joist used must be securely mounted, and capable of supporting at least 35 pounds (16 kilograms). The outlet box must be supported directly by the building structure. Use only CETL or CUL in Canada or ETL or UL in USA listed outlet boxes marked "FOR FAN SUPPORT."
  4. Electrical diagrams are for reference only. Light kits that are not packed with the fan must be CETL or CUL (Canada) or CETL or UL (USA) listed and marked suitable for use with the model fan you are installing. Switches must be CETL or CUL (Canada) or ETL or UL (USA) general use switches. Refer to the instructions packaged with the light kits and switches for proper assembly.
  5. After installation is complete, check that all connections are absolutely secure.
  6. After making electrical connections, spliced conductors should be turned upward and pushed carefully up into the outlet box. The wires should be spread apart with the grounded conductor and the equipment-grounding conductor on opposite sides of the outlet box.
  7. Do not operate the reverse switch until the fan has come to a complete stop.
  8. Do not use water or detergents when cleaning the fan or fan blades. A dry dust cloth or lightly dampened cloth will be suitable for most cleaning.

Distributed by: Craftmade, 3901 S. 20<sup>th</sup> Avenue, DFW Airport, TX, 75261; 800-486-4892

**NOTE:** The important safety precautions and instructions appearing in the manual are not meant to cover all possible conditions and situations that may occur. It must be understood that common sense and caution are necessary factors in the installation and operation of this fan.

# 1. Unpacking Your Fan.

Carefully open the packaging. Remove items from Styrofoam inserts. Remove motor housing and place on carpet or Styrofoam to avoid damage to finish. Do not discard fan carton or Styrofoam inserts should this fan need to be returned for repairs.



Check against parts inventory that all parts have been included.

## 2. Parts Inventory.

**a.** hanging bracket. 1 piece

**b.** motor housing. 1 piece

**c.** motor assembly. 1 piece

**d.** blade arm. 5 pieces

**e.** blade. 5 pieces

**f.** light kit fitter. 1 piece

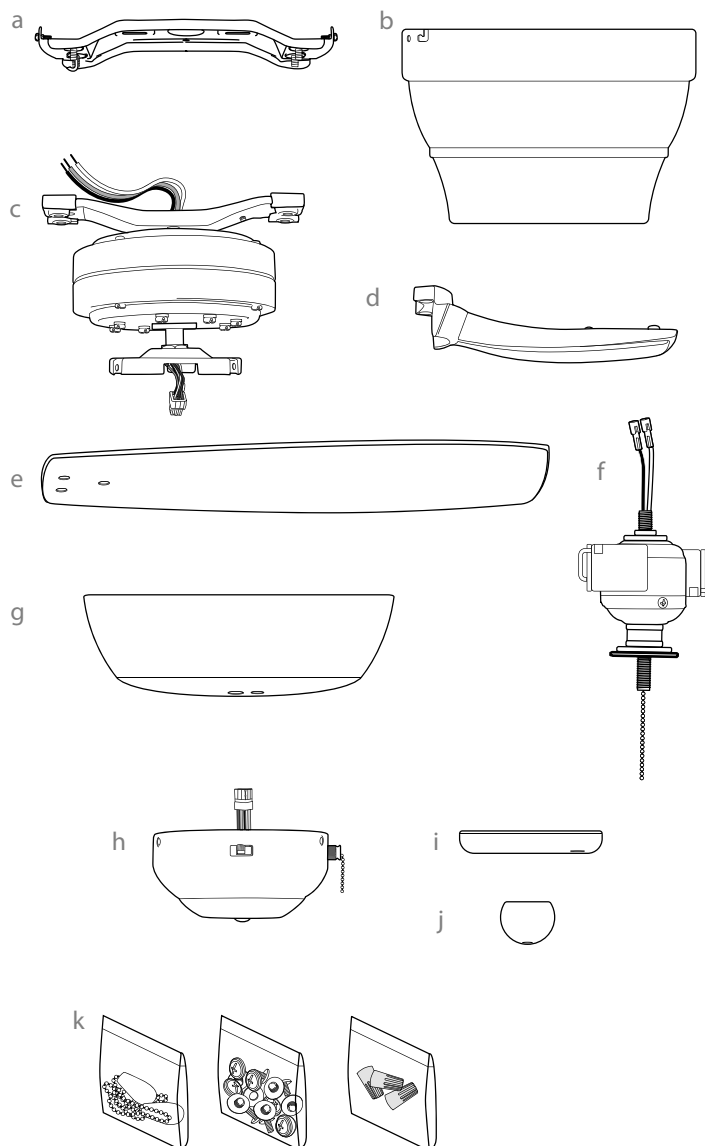
**g.** shade. 1 piece

**h.** switch housing. 1 piece

**i.** finial plate (pre-attached to light kit fitter). 1 piece

**j.** finial (pre-attached to light kit fitter). 1 piece.

**k.** hardware packs



**! IMPORTANT REMINDER:** You must use the parts provided with this fan for proper installation and safety. **!**

**bulbs required:**  
2 x 9 watt medium base LED bulbs,  
(included)



### 3. Installation Preparation.

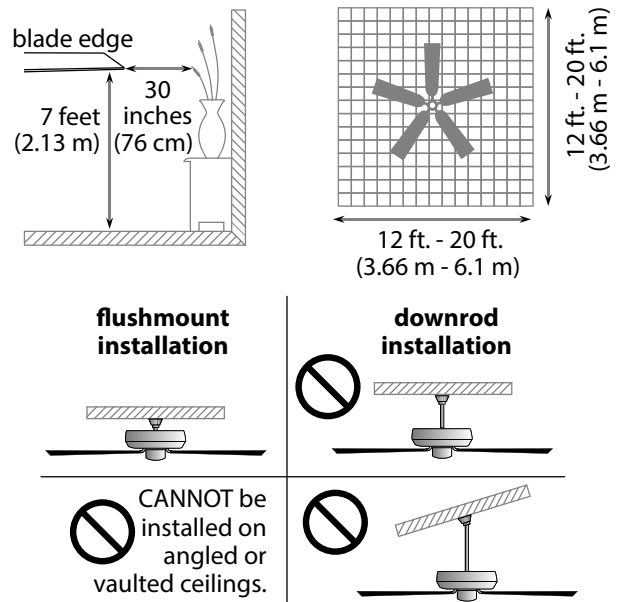
To prevent personal injury and damage, ensure that the hanging location allows the blades a clearance of 7 feet (2.13m) from the floor and 30 in (76cm) from any wall or obstruction.

This fan is suitable for room sizes up to 400 square feet (37.2 square meters).

This fan can be mounted *only* as a **flushmount** on a regular (no slope) ceiling. **Downrod** installations are **not** available for this fan.

**Installation requires these tools:**

Phillips screwdriver, flathead screwdriver, adjustable pliers or wrench, stepladder, wire cutters, and rated electrical tape.



### 4. Hanging Bracket Installation.

Turn off circuit breakers to current fixture from breaker panel and be sure operating light switch is turned to the OFF position. [Refer to **diagram 1**.]

**⚠ WARNING:** Failure to disconnect power supply prior to installation may result in serious injury.

Remove existing fixture.

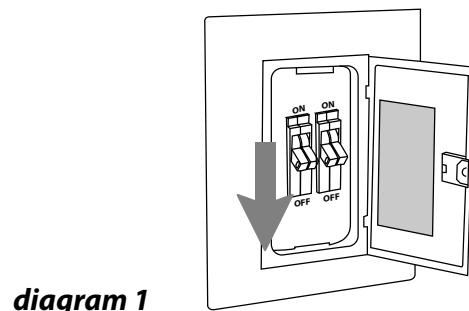
**⚠ WARNING:** When using an existing outlet box, be sure the outlet box is securely attached to the building structure and can support the full weight of the fan. Ensure outlet box is clearly marked "Suitable for Fan Support." If not, it must be replaced with an approved outlet box. Failure to do so can result in serious injury.

**⚠ CAUTION:** Be sure outlet box is grounded properly and that a ground wire (**GREEN** or bare) is present.

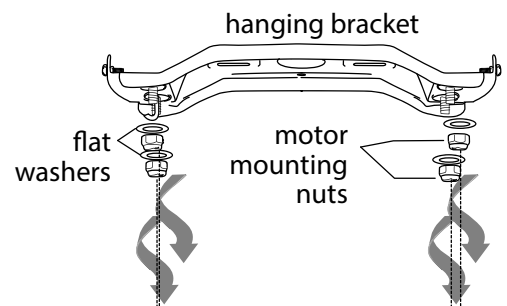
Remove 4 motor mounting nuts and flat washers from hanging bracket--save for later use. [Refer to **diagram 2**.]

Install hanging bracket to outlet box using original screws, spring washers and flat washers provided with new or original outlet box. Pull electrical wiring from outlet box through center hole in the hanging bracket. [Refer to **diagram 3**.]

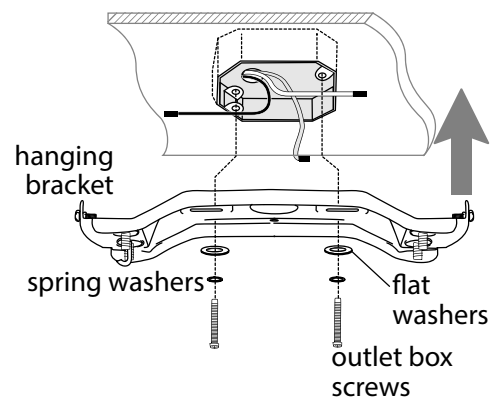
**\*Note:** It is very important that you use the proper hardware when installing the hanging bracket as this will support the fan.



**diagram 1**



**diagram 2**



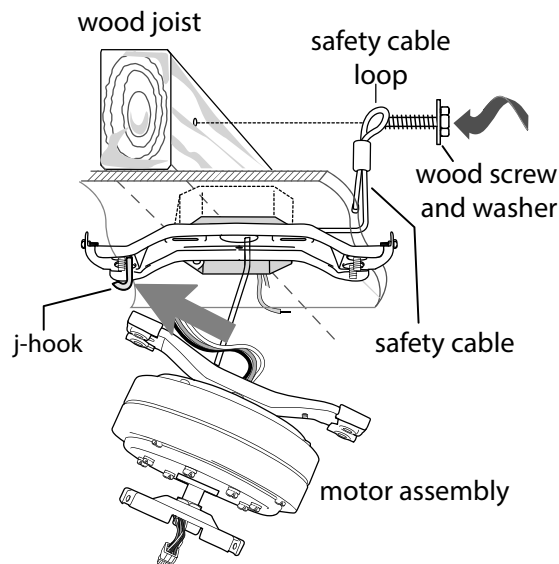
**diagram 3**

## 5. Preparation for Wiring.

Lift motor assembly to hanging bracket and slide slot at one end of motor assembly over j-hook on hanging bracket. This will allow motor assembly to hang out of the way while wiring.

**Tip:** Seek the help of another person to hold the stepladder in place and to lift the fan up to you once you are set on the ladder.

Find a secure attachment point (wood ceiling joist highly recommended) and secure safety cable. It will be necessary to use a heavy duty wood screw, washer and lock washer (not supplied) with the safety cable loop. If necessary, adjust the loop at the end of the safety cable. The loop at the end of the safety cable should just fit over the threads on the wood screw. *Test safety cable by pulling on loose end of cable with pliers. If the safety cable slips, the loop must be adjusted tighter.* Extra cable slack can be left in ceiling area.



## 6. Wiring.

**⚠ CAUTION:** Turn off circuit breakers to current fixture from breaker panel and be sure switch is turned to the OFF position.

**⚠ CAUTION:** Be sure outlet box is properly grounded and that a ground wire (**GREEN** or bare) is present.

*Make sure all electrical connections comply with Local Codes or Ordinances and the National Electrical Code. If you are unfamiliar with electrical wiring or if the house/building wires are different colors than those referred to below, please use a qualified electrician.*

When fan is secured in place on the hanging bracket, electrical wiring can be made as follows:

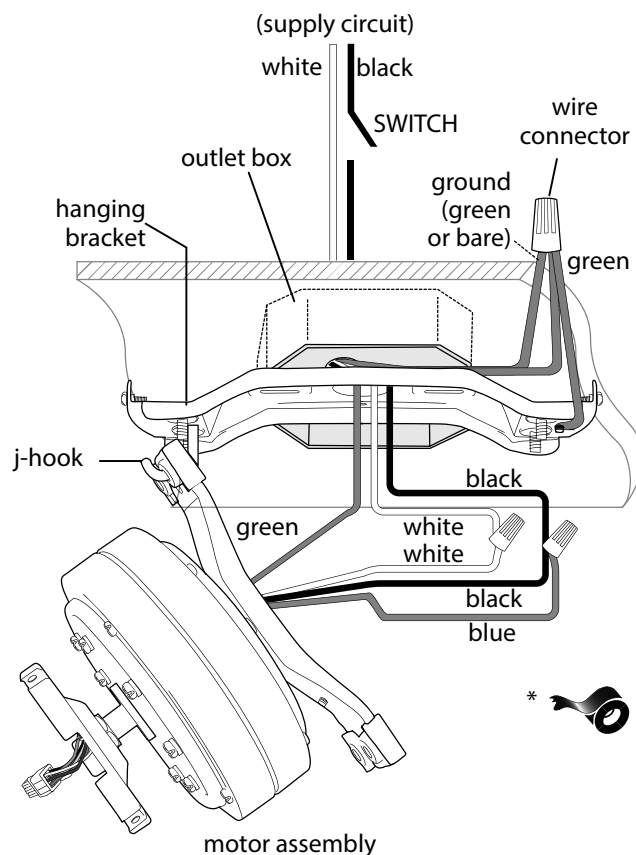
Connect all **GROUND (GREEN)** wires together from fan to **BARE/GREEN** wire from ceiling with wire connector provided.

Connect **BLACK** and **BLUE** wire from fan to **BLACK** wire from ceiling with wire connector provided.

Connect **WHITE** wire from fan to **WHITE** wire from ceiling with wire connector provided.

If you intend to control the fan light with a separate light switch, connect **BLUE** wire from fan to the **BLACK** (or **RED**) supply from the independent switch.

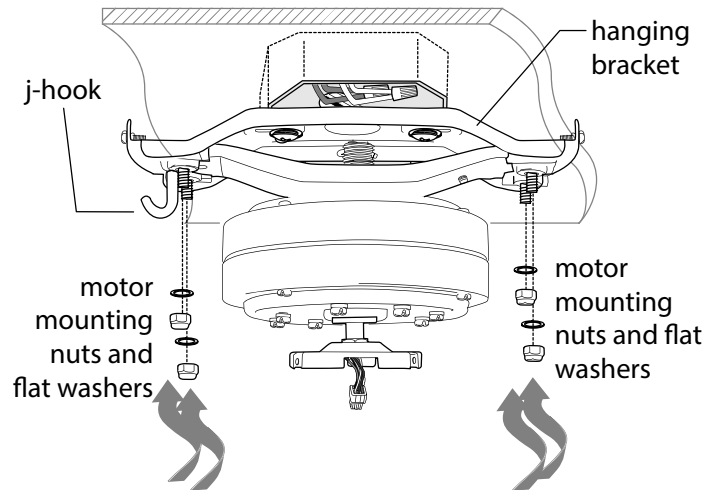
\* Wrap each wire connector separately with electrical tape as an extra safety measure.



## 7. Fan Assembly.

Remove motor assembly from j-hook on hanging bracket. Lift motor assembly to hanging bracket and carefully push wiring and wire connectors into outlet box. Align holes in top of motor assembly with bolts in hanging bracket and push up so that bolts come through holes. Secure motor assembly with flat washers and motor mounting nuts that were previously removed (refer to page 4, Section 4).

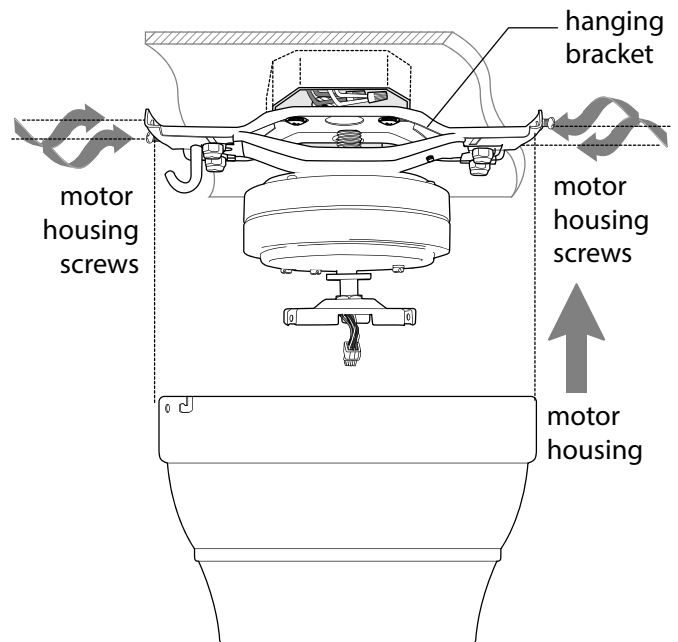
**⚠ WARNING:** It is extremely important to tighten motor mounting nuts completely so that fan is mounted securely.



## 8. Motor Housing Assembly.

Temporarily hold motor housing up to hanging bracket to determine which 2 screws in hanging bracket align with slotted holes on top rim of motor housing. Lower motor housing and *partially loosen* the 2 screws in the hanging bracket that correspond to **slotted** holes in the motor housing. *Remove the other 2 screws* from the hanging bracket.

Now, raise motor housing to hanging bracket again, allowing slotted holes in motor housing to align with loosened screws in hanging bracket. Twist motor housing to lock. Re-insert the 2 screws that were previously removed and then tighten all screws to secure motor housing.



## 9. Blade Assembly.

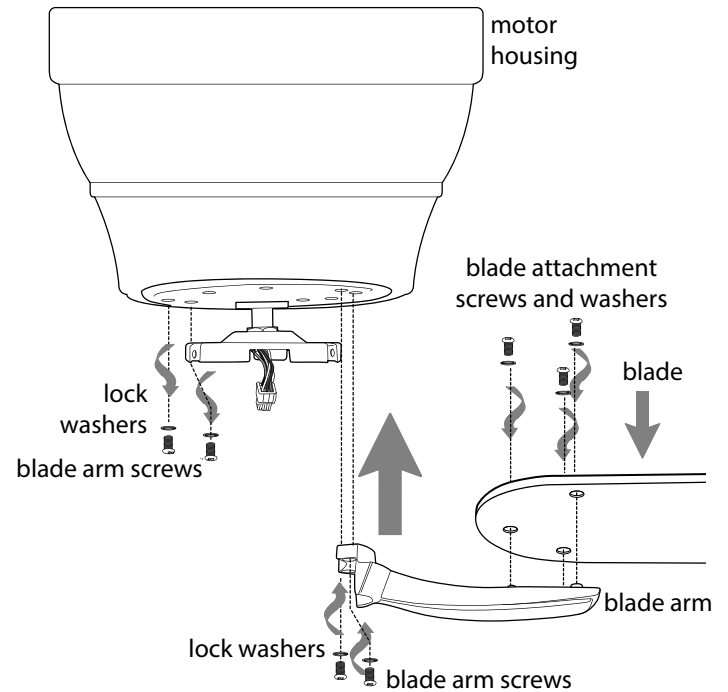
**⚠ WARNING:** To reduce the risk of serious bodily injury, DO NOT use power tools to assemble the blades. If screws are overtightened, blades may crack and break.

**Time Saver:** Washers for blade screws can be set on each blade screw prior to installing blades.

Locate 15 blade attachment screws and washers in one of the hardware packs. Hold blade arm up to blade and align holes. Insert 3 blade attachment screws (along with washers) with fingers first and then tighten screws securely with a Phillips screwdriver. Repeat procedure for the remaining blades.

Locate slot located on underside of switch housing for easy access to motor screw holes. Remove blade arm screws and lock washers from underside of motor. Align blade arm holes with motor screw holes and attach blade arm with lock washers and blade arm screws. Before securing screws permanently, repeat this procedure with remaining blade arms. Secure all screws.

**NOTE:** Tighten blade arm screws twice a year.

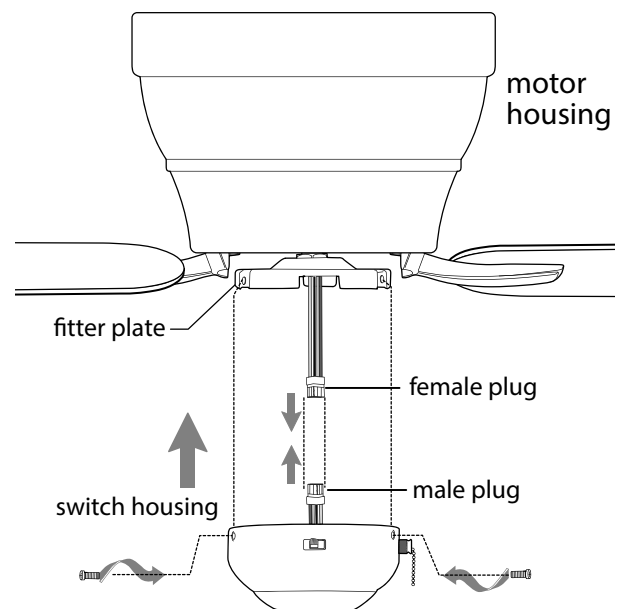


## 10. Light Kit Assembly (Optional).

Remove 3 screws from fitter plate (at bottom of motor housing).

**If you wish to use fan WITHOUT the light kit,** connect female plug from motor housing to male plug from switch housing. Align holes in switch housing with holes in fitter plate. Re-insert 3 screws that were previously removed. Securely tighten all 3 screws with a Phillips screwdriver.

**["Light Kit Assembly" continued on next page.]**



## 10. Light Kit Assembly (Optional). (cont.)

**If you wish to use fan WITH the light kit**, remove cap from switch housing and hex nut and lock washer from threaded rod at top of light kit fitter. [Refer to **diagram 1.**]

Gently feed **BLUE** and **WHITE** wires from light kit fitter (one at a time) through hole in middle of switch housing until switch housing meets threaded rod at the top of light kit fitter. Twist switch housing on treaded rod until secure. Insert **BLUE** and **WHITE** wires from light kit fitter through lock washer and hex nut previously removed. Tighten hex nut to secure. [Refer to **diagram 2.**]

Remove finial, finial plate, hex nut and flat washer from threaded rod at bottom of light kit fitter--*save all for later use*. Locate **BLUE** and **WHITE** wires in switch housing. Connect **WHITE** wire from switch housing to **WHITE** wire from light kit fitter. Connect **BLUE** wire from switch housing to **BLUE** wire from light kit fitter. Be sure molex connections snap together completely. [Refer to **diagram 2.**]

Connect female plug from motor housing to male plug from switch housing. Carefully arrange wires within switch housing. Align holes in switch housing cap with holes in switch housing. Re-insert 3 screws that were previously removed. Securely tighten all 3 screws with a Phillips screwdriver. [Refer to **diagram 3.**]

Install 2 standard base 9 watt LED bulbs (included). **IMPORTANT:** When you need to replace bulbs, please allow bulbs and shade to cool down before handling. Raise shade in order to guide pull chains through appropriate holes in shade. Align threaded rod on light kit fitter with hole in middle of shade and push up gently, allowing threaded rod to come through hole. (*Be sure pull chain for fan operation does not rub against bulb during operation.*) [Refer to **diagram 4.**]

Replace flat washer and hex nut on threaded rod. Tighten hex nut to secure shade, but **DO NOT OVERTIGHTEN** hex nut as shade may crack or break. Align hole in center of finial plate with threaded rod, allowing pull chains to come through appropriate holes in finial plate, and push up. Thread center pull chain through hole in finial and secure shade to light kit fitter by tightening finial. **DO NOT overtighten finial** as shade may crack or break. [Refer to **diagram 4.**]

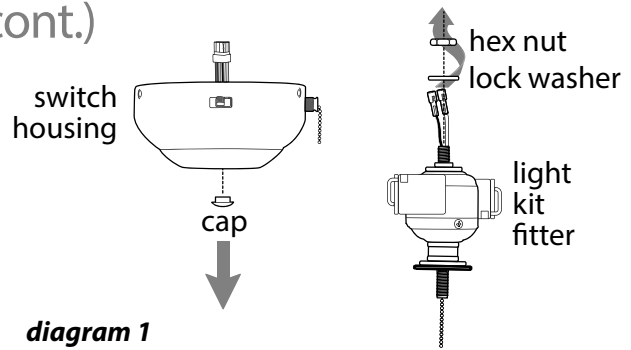


diagram 1

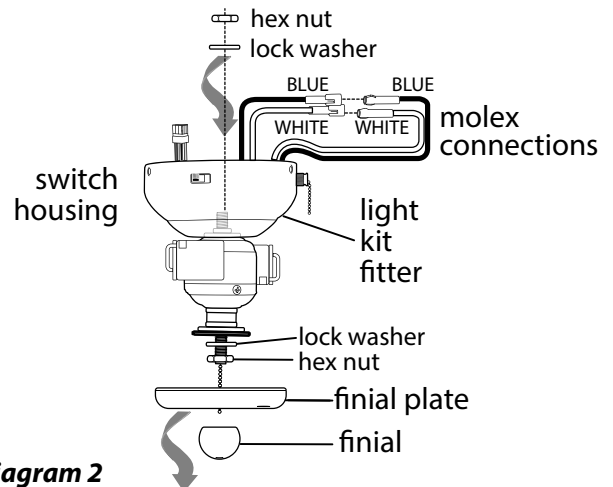


diagram 2

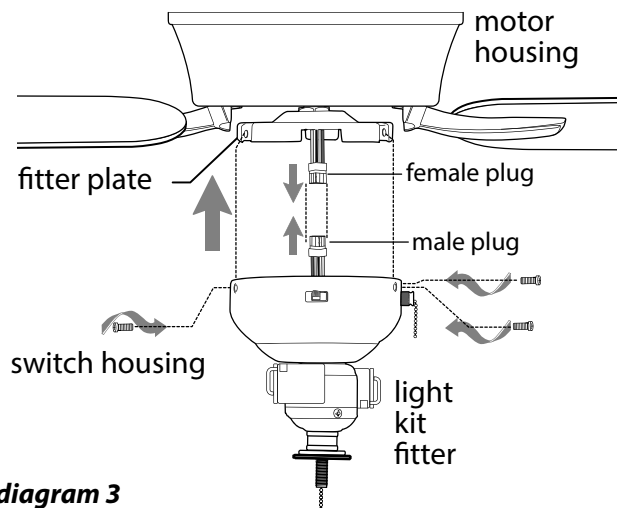


diagram 3

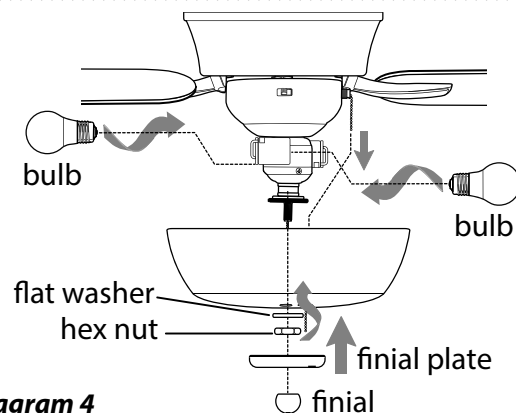


diagram 4



## 11. Testing Your Fan.

It is recommended that you test fan before finalizing installation. Restore power from circuit box and light switch (if applicable). Test fan speeds with the pull chain on the switch housing. Start at the OFF position (no blade movement). First pull will set the fan to HI. Second pull will set the fan to MEDIUM. Third pull will set the fan to LOW. Fourth pull will again set the fan to OFF setting. Test light with the pull chain in the middle. (**diagram 1**) If fan and/or light do (does) not function, please refer to "Troubleshooting" section to solve any issues before contacting Customer Service.

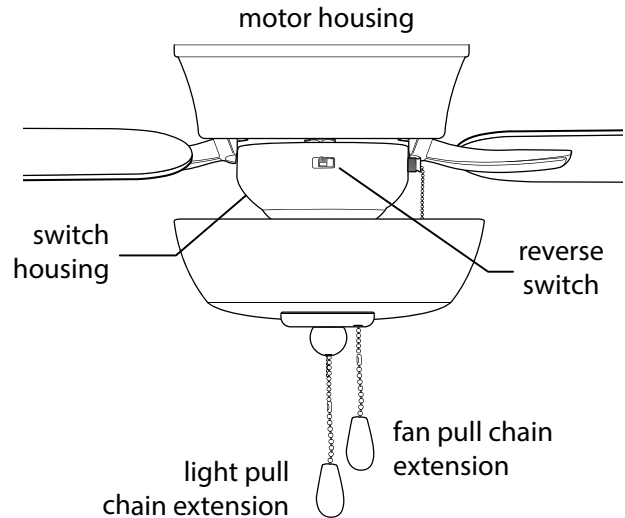
Turn fan completely off *before* moving the reverse switch (located on the switchhousing). Set reverse switch to recirculate air depending on the season:

- RIGHT position in summer (**diagram 2**)
- LEFT position in winter (**diagram 3**)

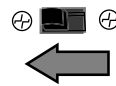
A ceiling fan will allow you to raise your thermostat setting in summer and lower your thermostat setting in winter without feeling a difference in your comfort.

**Important:** Reverse switch must be set either *completely LEFT* or *completely RIGHT* for fan to function. If the reverse switch is set in the *middle* position (**diagram 4**), fan will not operate.

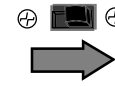
Attach pull chain extension(s) supplied or custom pull chain extension(s) (sold separately) to end(s) of the pull chain(s).



**diagram 1**



**diagram 2**



**diagram 3**



**diagram 4**

## Troubleshooting.

**⚠ WARNING:** Failure to disconnect power supply prior to troubleshooting any wiring issues may result in serious injury.

**Problem:** Fan fails to operate.

**Solutions:**

1. Check wall switch to fan.
2. Verify that reverse switch is set completely in either direction.
3. Check to be sure fan is wired properly.

**Problem:** Fan operates but light fails (if applicable).

**Solutions:**

1. Check to be sure wires in outlet box are wired properly.
2. Verify that mox connections in switch housing are connected properly.

**Problem:** Light kit (optional) not lighting.

**Solutions:**

1. Check wall switch to fan.
2. Check that bulb(s) is/are installed correctly.
3. Check to be sure wires in outlet box are wired properly.
4. Verify that mox connections in switch housing are connected properly.
5. Replace defective bulb(s) with same type of bulb(s)

**Problem:** Fan wobbles.

**Solutions:**

1. Use the balancing kit provided in one of the hardware packs. *If no blade balancing kit is provided, please call Customer Support, at 800-486-4892, to request one.*
2. Carefully loosen motor housing and verify that mounting bracket is secure.

## Parts, Replacement or Technical Assistance.

For parts, replacement, technical assistance or additional information, please have the fan model number, name or picture available and contact Craftmade in one of the following ways

Customer Support:

**800-486-4892**, Option 1

Technical Support:

**800-486-4892**, Option 2

Email:

[customerservice@craftmade.com](mailto:customerservice@craftmade.com)

[www.craftmade.com](http://www.craftmade.com)

## Warranty.

CRAFTMADE LIMITED LIFETIME WARRANTY:

CRAFTMADE warrants this fan for use as intended under the following provision: CRAFTMADE will replace any fan which has faulty performance due to a defect in material or workmanship or fails to operate satisfactorily when failure results from normal use. Contact Craftmade Customer Service at **800-486-4892, Option 1** or via email at **customerservice@craftmade.com**.

In the event a product is no longer available, CRAFTMADE will make best efforts to offer a comparable product or credit towards another CRAFTMADE fan.

The purchaser shall be responsible for all costs incurred in the removal and reinstallation.

This warranty does not apply when damage from mechanical, physical, electrical or water abuse results in causing the malfunction. Deterioration of finishes or other parts due to time or exposure to salt air is specifically exempted under this warranty. Shades and light bulbs are not covered by this warranty but will be replaced if found broken at time of purchase.

Neither CRAFTMADE nor the manufacturer will assume any liability resulting from improper installation or use of this product. In no case shall the company be liable for any consequential damages for breach of this, or any other warranty expressed or implied whatsoever. This limitation as to consequential damages shall not apply in states where prohibited.

# CRAFTMADE™