

CRAFTMADE™

READ THESE INSTRUCTIONS
AND SAVE THEM FOR FUTURE USE



Tern

Installation Guide

For Model:
TRN52

⚠ WARNING:
**DC Motor will not
operate until blades
are installed**



net weight of fan: 12.35 lb (5.6 kg)

Table of Contents:

Safety Tips. pg. 3
Unpacking Your Fan. pg. 4
Parts Inventory. pg. 4
Installation Preparation. pg. 5
Mounting Plate Installation. pg. 5
Preparation for Wiring. pg. 6
Wiring. pg. 6
Fan Assembly. pg. 7
Blade Assembly. pg. 8
Automated Learning Process./
Activating Code. pg. 9
Remote Control Operation. pg. 10
Activating Your Ceiling Fan Smart
Features. pgs. 12-13
Testing Your Fan. pg. 12
Troubleshooting. pg. 13
Warranty. pg. 13
Parts, Replacement and
Technical Assistance. pg. 13

Activating Your New Smart Fan; Downloading the Bond Home App

- Using your smart device, navigate to the application store (Apple App store or Google Play), download the free **Bond Home** app and create account.
- Ensure the fan and receiver are receiving power from the house by supply using the remote control to turn the fan and light ON and OFF.
- Open the **Bond Home App** on your smart device and follow step-by-step instructions included in the app to add your fan.
- Enjoy fan features and functionality that you can only get from activating the fan through the app.

SAFETY TIPS.

READ ALL INSTRUCTIONS AND SAFETY INFORMATION CAREFULLY BEFORE INSTALLING YOUR FAN AND SAVE THESE INSTRUCTIONS.

WARNING

- To reduce the risk of electrical shock, turn off the electricity to the fan at the main fuse box or circuit panel before you begin fan installation or before servicing the fan or installing accessories.
- To reduce the risk of fire, electrical shock, or personal injury, mount to the outlet box marked "Acceptable for Fan Support of 15.9 kg (35 lb) or less," and use the mounting screws provided with the outlet box. Most outlet boxes commonly used for the support of lighting fixtures are not acceptable for fan support and may need to be replaced. Consult a qualified electrician if in doubt.
- To reduce the risk of fire, electrical shock, or personal injury, wire connectors provided with this fan are designed to accept only one 12-gauge house wire and two lead wires from the fan. If your house wire is larger than 12-gauge or there is more than one house wire to connect to the corresponding fan lead wires, consult an electrician for the proper size wire connectors to use.
- To reduce the risk of fire or electrical shock, do not use this fan with any solid state speed control device or control fan speed with a full range dimmer switch. [Using a full range dimmer switch to control fan speed will cause a loud humming noise from fan.]
- To reduce the risk of personal injury, do not bend the blades during assembly or after installation.
- To reduce the risk of personal injury or damage to the fan, do not insert anything between the fan blades while they are rotating.
- To reduce the risk of serious bodily injury, DO NOT use power tools to assemble any part of the fan, including the blades.
- To avoid personal injury or damage to the fan and other items, be cautious when working around or cleaning the fan.
- This fan **MUST** be installed with the safety cable provided with the fan. Failure to use the safety cable provided may result in personal injury, damage to the fan or damage to other property.
- To reduce the risk of personal injury, use **only** parts provided with this fan. **The use of parts OTHER than those provided with this fan will void the warranty.**

CAUTION

- To avoid personal injury, the use of gloves may be necessary while handling fan parts with sharp edges.
- Changes or modifications not approved by the party responsible for compliance could void the user's authority to operate the equipment. [The equipment refers to the remote and/or wall control and/or LED light kit.]
NOTE: This equipment has been tested and found to comply with the limits for a Class B digital device, pursuant to Part 15 of the FCC Rules. These limits are designed to provide reasonable protection against harmful interference in a residential installation. This equipment generates, uses and can radiate radio frequency energy and, if not installed and used in accordance with the instructions, may cause harmful interference to radio communications. However, there is no guarantee that interference will not occur in a particular installation. If this equipment does cause harmful interference to radio or television reception, which can be determined by turning the equipment off and on, the user is encouraged to try to correct the interference by one or more of the following measures:
 - * Reorient or relocate the receiving antenna.
 - * Increase the separation between the equipment and receiver.
 - * Connect the equipment into an outlet on a circuit different from that to which the receiver is connected.Consult the dealer or an experienced radio/TV technician for help.

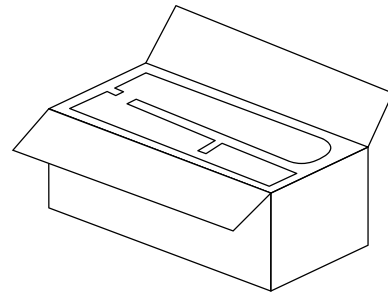
1. Make sure all electrical connections comply with Local Codes or Ordinances, the National Electrical Code, and ANSI/NFPA 70-1999. If you are unfamiliar with electrical wiring or if the house/building wires are different colors than those referred to in the instructions, please use a qualified electrician.
2. Make sure you have a location selected for your fan that allows clear space for the blades to rotate and at least seven (7) feet (2.13 meters) of clearance between the floor and the fan blade tips. The fan should be mounted so that the tips of the blades are at least thirty (30) inches (76 centimeters) from walls or other upright structures.
3. The outlet box and ceiling support joist used must be securely mounted, and capable of supporting at least 35 pounds (16 kilograms). The outlet box must be supported directly by the building structure. Use only CUL in Canada or UL in USA listed outlet boxes marked "FOR FAN SUPPORT."
4. Electrical diagrams are for reference only.
5. After installation is complete, check that all connections are absolutely secure.
6. After making electrical connections, spliced conductors should be turned upward and pushed carefully up into the outlet box. The wires should be spread apart with the grounded conductor and the equipment-grounding conductor on opposite sides of the outlet box.
7. Do not operate the reverse switch until the fan has come to a complete stop. [**Note:** If using remote control with reverse capability, reverse fan blade direction only when on LOW speed.]
8. Do not use water or detergents when cleaning the fan or fan blades. A dry dust cloth or lightly dampened cloth will be suitable for most cleaning.

Distributed by: Craftmade, 3901 S 20th Avenue, DFW Airport, TX, 75261; 800-486-4892

NOTE: The important safety precautions and instructions appearing in the manual are not meant to cover all possible conditions and situations that may occur. It must be understood that common sense and caution are necessary factors in the installation and operation of this fan.

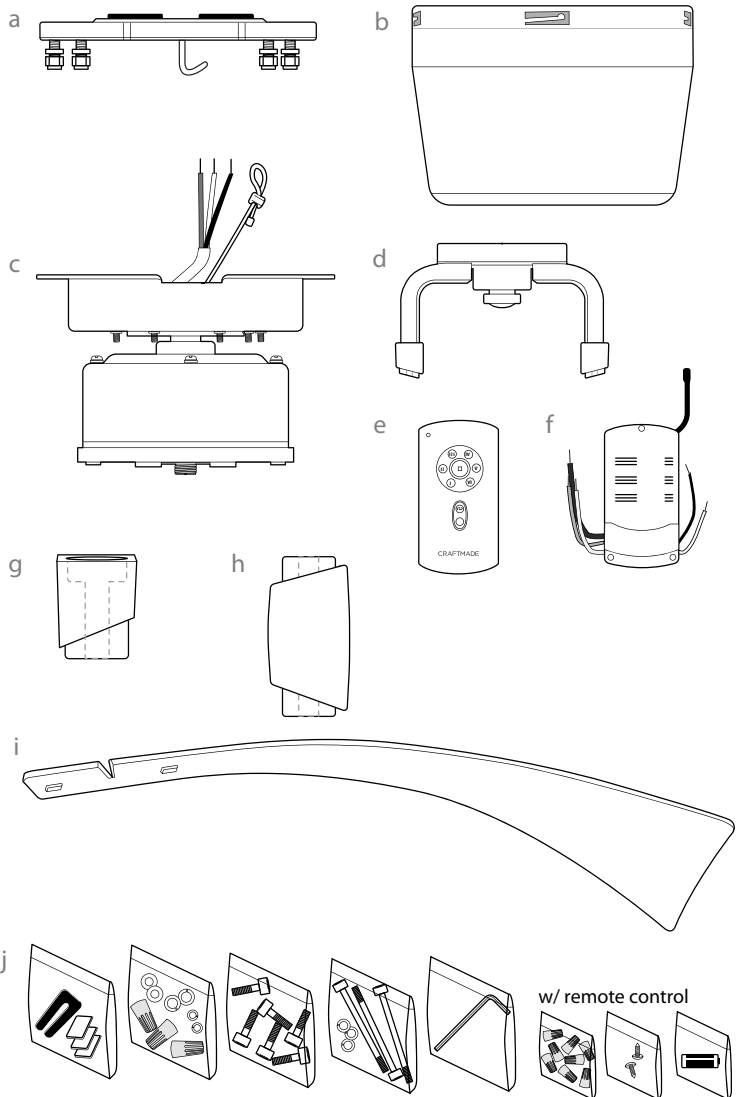
1. Unpacking Your Fan.

Carefully open the packaging. Remove items from Styrofoam inserts. Remove motor housing and place on carpet or Styrofoam to avoid damage to finish. Do not discard fan carton or Styrofoam inserts should this fan need to be returned for repairs. Check against parts inventory that all parts have been included.



2. Parts Inventory.

- a. mounting plate. 1 piece
- b. motor housing. 1 piece
- c. motor assembly. 1 piece
- d. blade base. 1 piece
- e. remote control. 1 piece
- f. remote control receiver. 1 piece
- g. small blade support. 2 pieces
- h. large blade support. 2 pieces
- i. blade. 2 pieces
- j. hardware packs



⚠ IMPORTANT REMINDER: You must use the parts provided with this fan for proper installation and safety. **⚠**

3. Installation Preparation.

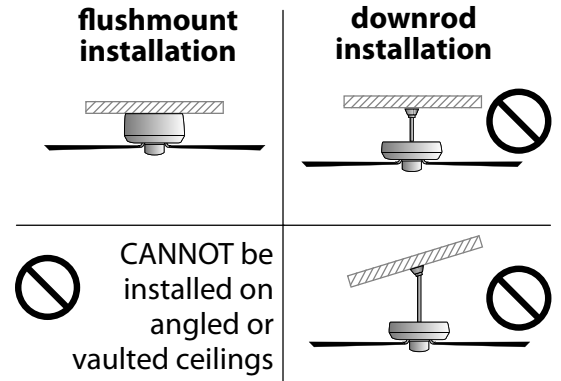
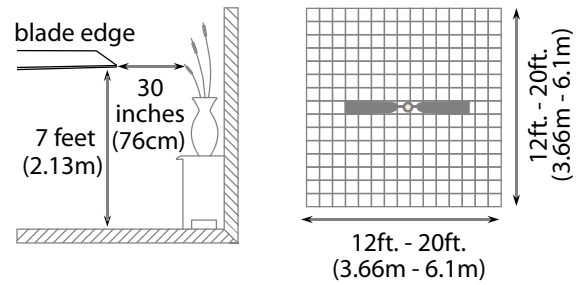
To prevent personal injury and damage, ensure that the hanging location allows the blades a clearance of 7ft. (2.13m) from the floor and 30in. (76cm) from any wall or obstruction.

This fan is suitable for room sizes up to 400 square feet (37.2 square meters).

This fan can be mounted as a flushmount on a regular (no-slope) ceiling *only*. **Downrod** installations are **not** available for this fan.

Installation requires these tools:

Phillips screwdriver, flat-head screwdriver, adjustable pliers or wrench, stepladder, wire cutters, and rated electrical tape.



4. Mounting Plate Installation.

Turn off circuit breakers to current fixture from breaker panel and be sure operating light switch is turned to the OFF position.

⚠ WARNING: Failure to disconnect power supply prior to installation may result in serious injury.

Remove existing fixture.

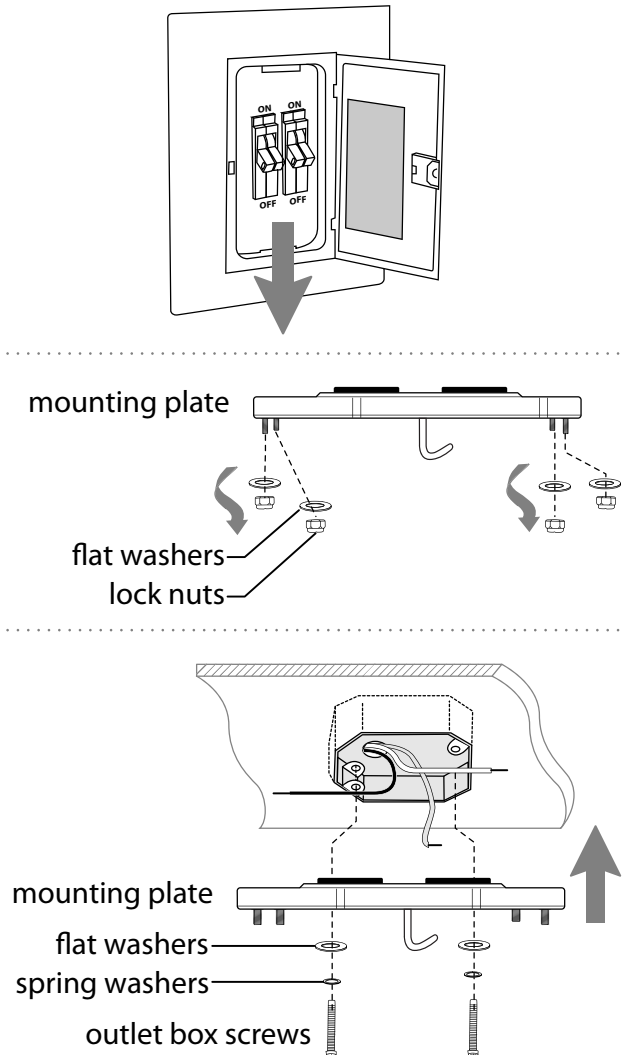
⚠ WARNING: When using an existing outlet box, be sure the outlet box is securely attached to the building structure and can support the full weight of the fan. Ensure outlet box is clearly marked "Suitable for Fan Support." If not, it must be replaced with an approved outlet box. Failure to do so can result in serious injury.

⚠ CAUTION: Be sure outlet box is grounded properly and that a ground wire (**GREEN** or bare) is present.

Remove 4 lock nuts and flat washers from mounting plate - save for later use.

Install mounting plate to outlet box using original screws, spring washers and flat washers provided with new or original outlet box.* Pull electrical wiring from outlet box through center hole in the mounting plate.

***Note:** It is very important that you use the proper hardware when installing the mounting plate as this will support the fan.

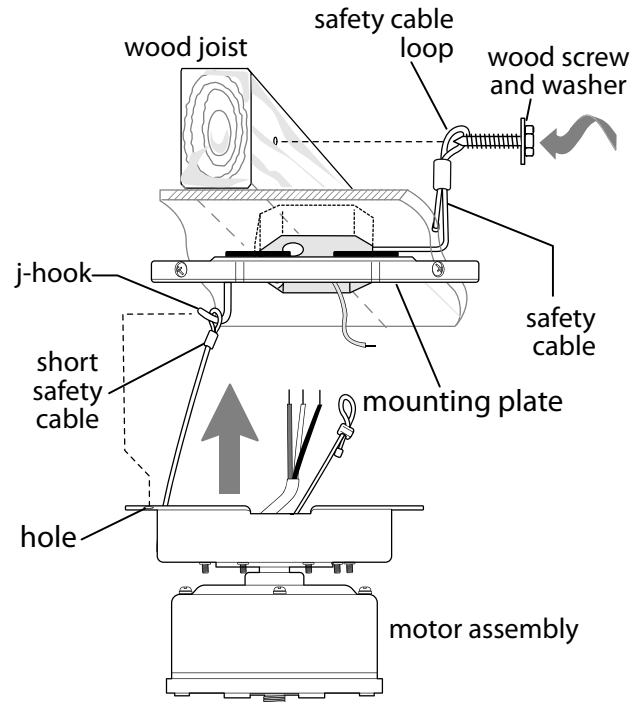


5. Preparation for Wiring.

To prepare fan for wiring, lift motor assembly to mounting plate and then hang motor assembly on j-hook on underside of mounting plate. (Use one of the holes on the rim of the motor assembly or the short preassembled safety cable to do so.) This will allow motor assembly to hang out of the way while wiring.

Tip: Seek the help of another person to hold the stepladder in place and to help lift the fan up to you once you are set on the ladder.

Find a secure attachment point (wood ceiling joist highly recommended) and secure safety cable. It will be necessary to use a heavy duty wood screw, washer and lock washer (not supplied) with the safety cable loop. If necessary, adjust the loop at the end of the safety cable. The loop at the end of the safety cable should just fit over the threads on the wood screw. *Test safety cable by pulling on loose end of cable with pliers. If the safety cable slips, the loop must be adjusted smaller.* Extra cable slack can be left in ceiling area.



6. Wiring.

⚠ WARNING: Turn off circuit breakers to current fixture from breaker panel and be sure switch is turned to the OFF position.

⚠ CAUTION: Be sure outlet box is properly grounded and that a ground wire (**GREEN** or **Bare**) is present.

Make sure all electrical connections comply with Local Codes or Ordinances and the National Electrical Code. If you are unfamiliar with electrical wiring or if the house/building wires are different colors than those referred to in the diagram to the right, please use a qualified electrician.

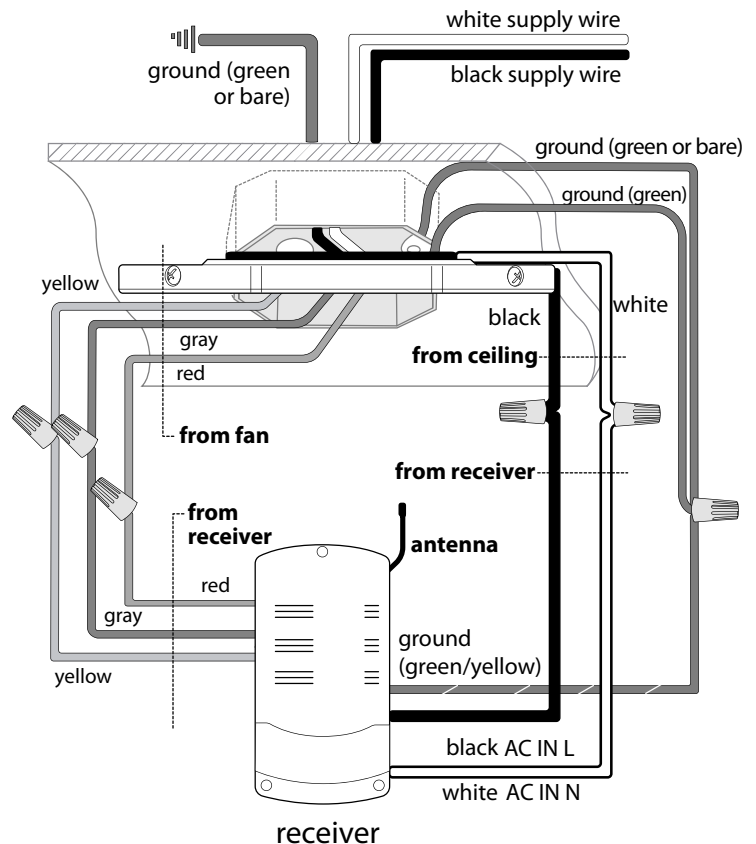
Note: Excess lead wire length from the fan can be cut to the desired length and then stripped.

Once motor assembly has been temporarily hung on the j-hook on the mounting plate, **WIRE THE RECEIVER** with wire connectors provided as shown in diagram at right.

Tip: While you are wiring, keep in mind that wires must not obstruct receiver from sliding into hanging bracket.

* Wrap each wire connector separately with electrical tape as an extra safety measure.

Gently insert receiver (flat side up) into hanging bracket and carefully push taped wire connectors into outlet box. Let antenna from receiver rest *outside* of hanging bracket.



(wiring for receiver)



7. Fan Assembly.

Remove motor assembly from j-hook on mounting plate. Then, raise motor assembly to mounting plate again, aligning holes in top plate of motor assembly with screws in mounting plate.

IMPORTANT: Gap on top of motor assembly must align with j-hook for the proper fit. Make sure wires and wire connectors do not get tangled or pinched between the plates.

Re-insert the 4 flat washers and 4 lock nuts previously removed (page 5, Section 4) to secure motor assembly. Tighten all 4 lock nuts securely. [Refer to **diagram 1**.]

Raise motor housing to mounting plate, aligning 4 metal bars on the inside edge of motor housing with 4 posts on edge of mounting plate. Twist motor housing to the RIGHT to lock. [Refer to **diagram 2**.]

⚠ WARNING: It is important that you make sure to turn the motor housing all the way to the right to ensure that the motor housing is completely secure.

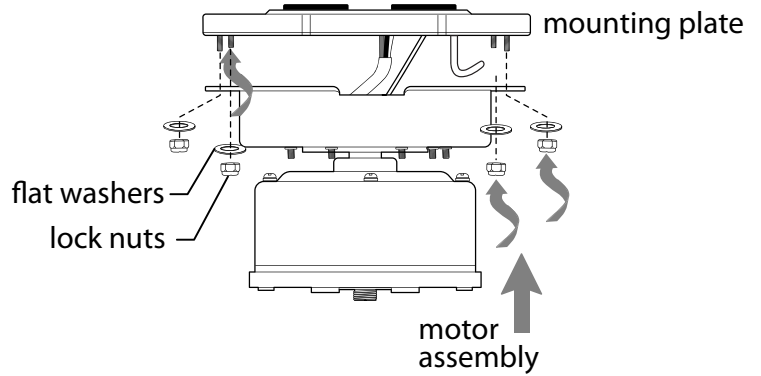


diagram 1

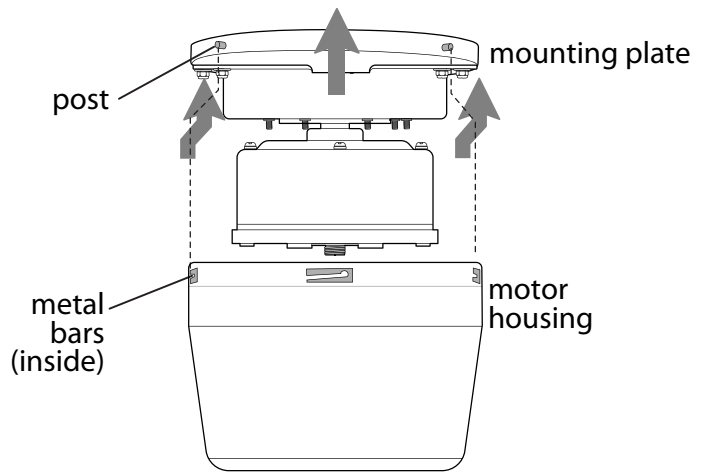


diagram 2

8. Blade Assembly.

⚠ WARNING: To reduce the risk of serious bodily injury, DO NOT use power tools to assemble the blades. If overtightened, blades may crack and break.

Locate blade base and place on flat surface, with arms facing up. Locate all blade supports, long blade attachment screws (along with lock washers) and Allen wrench in hardware packs.

Interlock blades at their slots, making sure they curve *as shown*. Insert blade arms on blade base into both openings on both blades. [Refer to **diagram 1**.]

Insert one large blade support between blades, on each opening of the blades. **IMPORTANT:** Turn large blade support so that bottom edge of blade support is **flush with edge** of opening. [Refer to **diagram 2**.]

Insert one small blade support on the topside of the opening of each blade. **IMPORTANT:** Turn small blade support so that bottom edge of blade support is **flush with edge** of opening. [Refer to **diagram 2**.]

Carefully insert one long blade attachment screw (along with lock washer) through all blade supports on one side of the blades and **partially** tighten blade attachment screw using Allen wrench to attach to blade base. Repeat with other side. **NOTE:** It may be necessary to *gently* lift blades for holes to align correctly. [Refer to **diagram 3**.] Tighten both blade attachment screws securely.

Locate blade base attachment screws/lock washers in hardware pack. With blades firmly attached to blade base, align holes on blade base with holes on underside of motor assembly. Insert one blade base attachment screw/lock washer with fingers first to attach blade base to motor assembly using the Allen wrench. Repeat with remaining blade base attachment screws/lock washers. [Refer to **diagram 4**.] Tighten all blade base attachment screws securely.

NOTE: Tighten blade and blade base attachment screws twice a year.

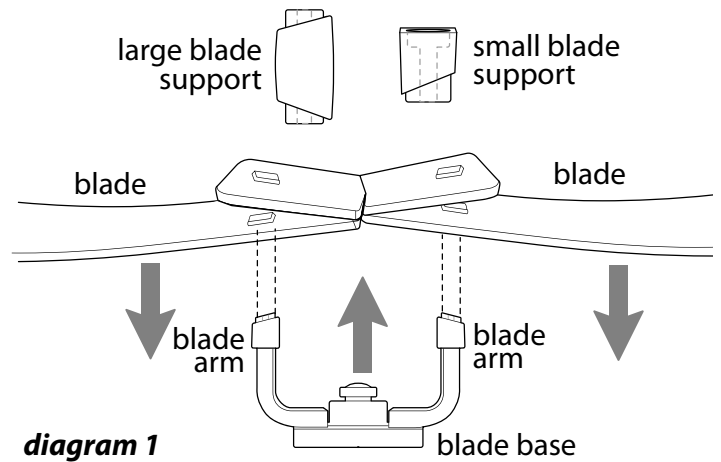


diagram 1

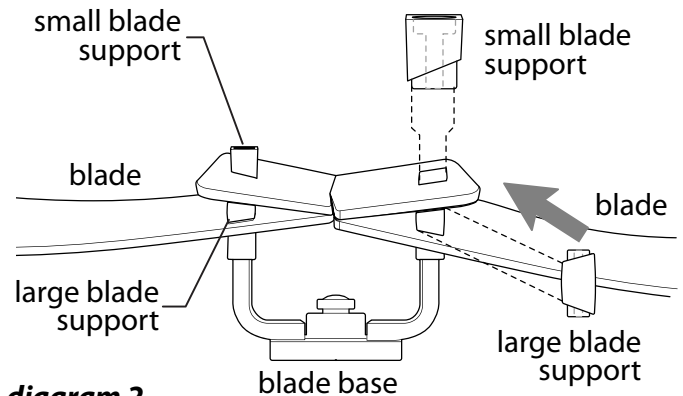


diagram 2

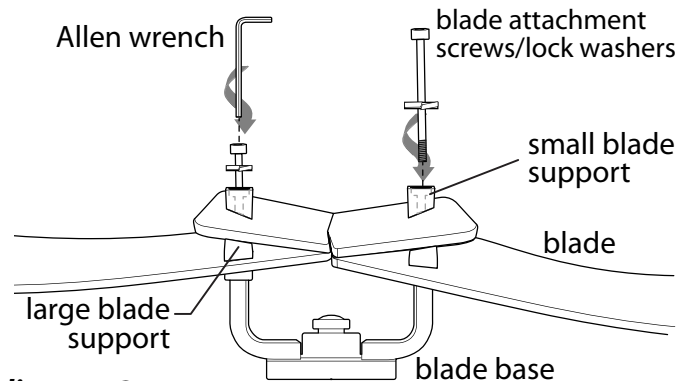


diagram 3

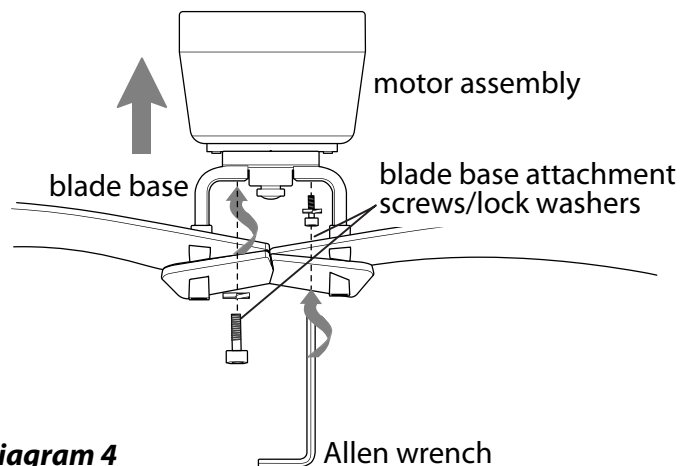


diagram 4

9. Automated Learning Process./Activating Code.

⚠ CAUTION: *The remote control can be programmed to multiple receivers or fans. If this is not desired, turn wall switch off to any other programmable receiver or fan.*

Remove battery cover on back side of remote control transmitter. Install one 12-volt battery (included).

⚠ WARNING: Battery is to be inserted with the correct polarity.

Restore electrical power. Within 60 seconds of restoring the power, press and hold the fan **SET** button for 5 seconds. Then, replace the battery cover.

NOTE: Remove battery with low or no charge and dispose of properly.

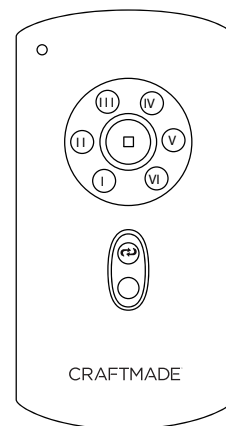
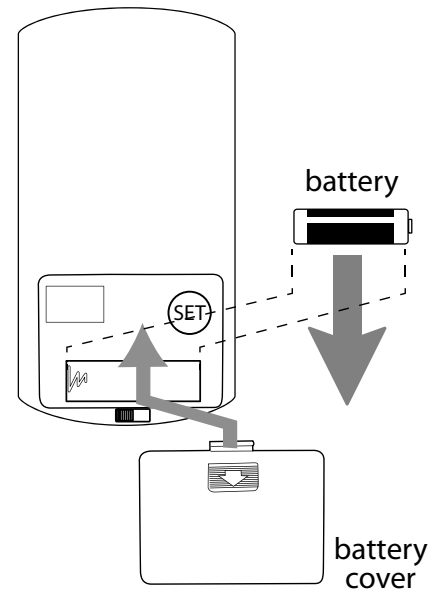
IMPORTANT: Store the remote control away from excess heat or humidity. To prevent damage to remote control, remove the battery if remote control will not be used for long periods.

⚠ CAUTION: "DO NOT DISPOSE OF BATTERIES IN FIRE, BATTERIES MAY EXPLODE OR LEAK." - When disposing of household alkaline batteries, it is best to check with your local and state recycling or household hazardous waste coordinators concerning the specifics of the program in your area. You may also locate a recycling center by calling 1-800-8-BATTERY or 1-877-2-RECYCLE or visit www.epa.gov/epawaste/index.htm or www.earth911.org for more information.

⚠ WARNING: Choking/ingestion Hazard - Small parts. Keep battery away from children.

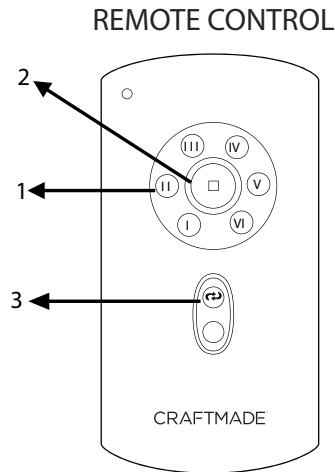
⚠ WARNING: Battery is NOT rechargeable. A non-rechargeable battery is not to be recharged.

REMOTE CONTROL
(back)



REMOTE CONTROL
(front)

10. Remote Control Operation.



Fan **SPEED** buttons--1:

Use to control ceiling fan speeds 1-6

Fan **OFF** button--2:

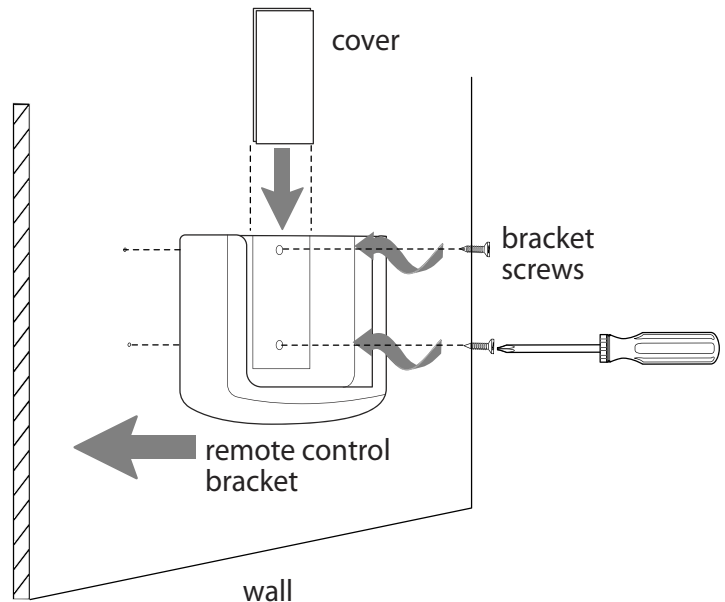
Use to turn the fan off

REVERSE function button--3:

Use to control fan direction

IMPORTANT: *The Automated Learning Process takes approximately 5 minutes to complete.* Please **leave the fan "ON"** for the duration of the 5-minute programming and **do NOT use the remote control or turn off the power** during this time. The fan will **cycle through ALL SIX (6) speeds in forward and reverse** and will **then stop automatically** after the learning process is complete.

If you wish to use the remote control bracket, install screws from remote control hardware pack through bracket and into the desired installation site *as shown*. The remote control rests on the bracket.



11. Activating Your Ceiling Fan Smart Features. (Optional)

To enjoy all your ceiling fan smart features (such as Breeze speed setting, Schedules, Voice Activation, and more) you must connect it to your Wi-Fi network.

Please follow these steps:

1. Download the **Bond Home App**, available on the Google Play Store and Apple App Store, or use the QR code to download the app.

2. Open the **Bond** application.

- If you already have a **Bond** account, simply log in and continue to Step 3. If you do not have a **Bond** account, press "**Create Account**" and enter your name, email and create a password.

3. Select "+" to add a device.

4. Select "**Smart By Bond**" (SBB).

5. Connect the **Bond Home App** to your ceiling fan by following the on-screen instructions. You can find your **Bond** Configuration ID in the ceiling fan packaging.

6. Once the **Bond** application connects to the fan, select "**CONTINUE**" to proceed.

7. Test the fan functions:

- You have the option to disable the light function if your fan does not have a light.

8. Select "**YES, IT WORKS.**"

9. Specify information about your fan:

- Select "**Location**" and choose from one of the predefined entries or add your own by selecting "**OTHER**". When finished, select "**Save**".

- Select device name and enter the name for your device. When finished, select "**OK**" to save.

PLEASE NOTE: The name you inform will be used by voice assistants (such as Google Assistant, Amazon Alexa, and others) so a simple, easy-to-remember name is optimal.

10. Select "**Continue**".

11. Select the Wi-Fi network you would like to connect the SBB to.

12. Enter the Wi-Fi password and select "**OK**".

- If there is an issue with the connection or wrong password is entered, you will receive an error message. Select "**OK, I've Got It**".

13. Once the connection is made, select "**DONE**".

14. If the SBB fan is not displayed in the Bond application, swipe down to refresh.

For assistance at any time during this process, go to the "**Help**" section of the app:

- Tap on "**Settings**"


- Tap on "**Help Center**"

- Choose "**Open a Ticket**" or "**Live Chat**"



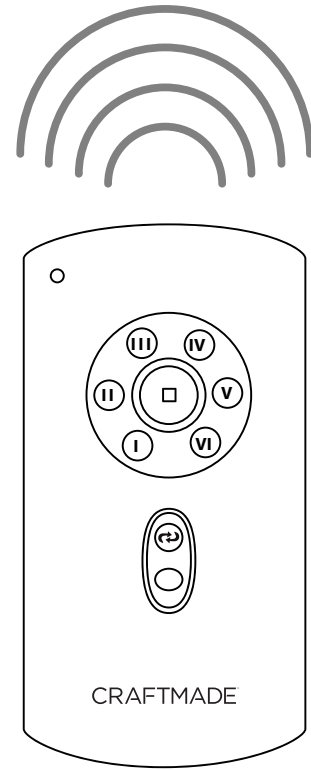
12. Testing Your Fan.

It is recommended that you test fan before finalizing installation. Restore power from circuit box and wall switch (if applicable). Test fan speeds with the different fan speed buttons (I - VI) on remote control. If the remote control operates all of the functions of the fan, battery has been installed correctly. If the remote control does not operate all of the fan functions, refer to "Troubleshooting" section to solve any issues before contacting Customer Service.

Fan must be on LOW before setting the fan in reverse. Use  button to recirculate air depending on the season. A ceiling fan will allow you to raise your thermostat setting in summer and lower your thermostat setting in winter without feeling a difference in your comfort.

NOTE: If the remote control interferes with other appliances, activate a new code on the remote control by **turning the power off first**. Go back to the instructions for the SET button in Section 9 (page 9).

IMPORTANT: Remote control must be synchronized with fan in order to properly function.



Troubleshooting.

⚠ WARNING: Failure to disconnect power supply prior to troubleshooting any wiring issues may result in serious injury.

Problem: Fan fails to operate.

Solutions:

1. Check wall switch to fan.
2. Check to be sure fan is wired properly.
3. Learning process between fan and remote control may not have been successful and code was not activated. Turn off power and repeat instructions for SET button in Section 9 (page 9).
4. Check that red light on remote control turns on when a button is pressed indicating that the battery is good.

Problem: Fan fails to operate with remote control.

Solutions:

1. Check battery power to remote control.
2. Learning process between fan and remote control may not have been successful and code was not activated. Turn off power and repeat instructions for SET button in Section 9 (page 9).

Problem: Fan wobbles.

Solutions:

1. Carefully loosen motor housing and verify that mounting plate and motor assembly are secure.
2. Check to be sure motor housing is turned completely.
2. Check to be sure blade and blade base attachments screws/lock washers are tightened completely.

Warranty.

CRAFTMADE™ LIFETIME LIMITED WARRANTY:

CRAFTMADE warrants this fan for use as intended under the following provision: CRAFTMADE will replace any fan which has faulty performance due to a defect in material or workmanship or fails to operate satisfactorily when failure results from normal use. Contact Craftmade Customer Service at **800-486-4892, Option 1** or via email at **customerservice@craftmade.com**.

In the event a product is no longer available, CRAFTMADE will make best efforts to offer a comparable product or credit towards another CRAFTMADE fan.

The purchaser shall be responsible for all costs incurred in the removal and reinstallation.

This warranty does not apply when damage from mechanical, physical, electrical or water abuse results in causing the malfunction. Deterioration of finishes or other parts due to time or exposure to salt air is specifically exempted under this warranty. Glass globes and light bulbs are not covered by this warranty but will be replaced if found broken at time of purchase.

Neither CRAFTMADE nor the manufacturer will assume any liability resulting from improper installation or use of this product. In no case shall the company be liable for any consequential damages for breach of this, or any other warranty expressed or implied whatsoever. This limitation as to consequential damages shall not apply in states where prohibited.

Parts, Replacement or Technical Assistance.

For parts, replacement, technical assistance or additional information, please have the fan model number, name or picture available and contact Craftmade in one of the following ways:

Customer Support:

800-486-4892, Option 1

Technical Support:

800-486-4892, Option 2

Email:

customerservice@craftmade.com

www.craftmade.com

CRAFTMADE™