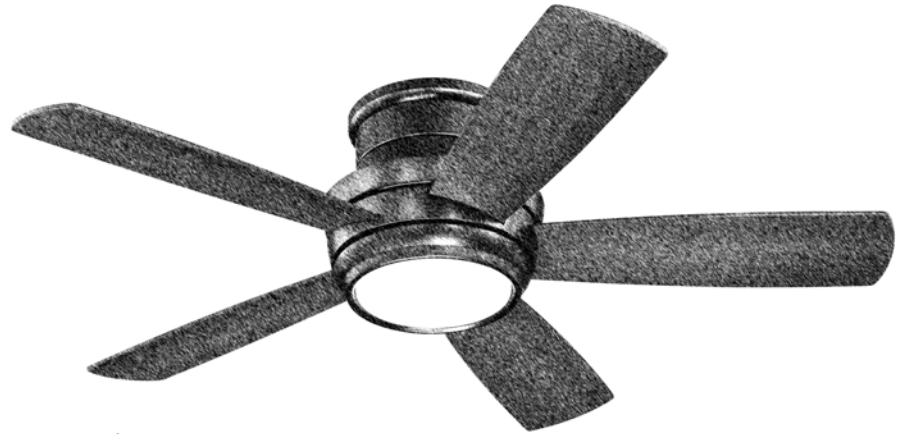


# CRAFTMADE™

READ THESE INSTRUCTIONS  
AND SAVE THEM FOR FUTURE USE



## Tempo Hugger 44in.

# Installation Guide

For Model:  
**TMPH44**

### Table of Contents:

- Safety Tips. pg. 2
- Unpacking Your Fan. pg. 3
- Parts Inventory. pg. 3
- Installation Preparation. pg. 4
- Mounting Plate Installation. pg. 4
- Preparation for Wiring. pg. 5
- Wiring. pgs. 5 - 6
- Fan Assembly. pg. 6
- Blade Assembly. pg. 7
- Light Kit Assembly (Optional). pgs. 7 - 8
- Assembly of Handheld Remote Control. pg. 9
- Automated Learning Process./  
Activating Code. pg. 10
- Remote Control Operation. pg. 10
- Testing Your Fan. pg. 10
- Troubleshooting. pg. 11
- Warranty. pg. 11
- Parts Replacement. pg. 11



net weight of fan: 18.58 lb (8.43 kg)

PRINTED IN CHINA

# SAFETY TIPS.

**WARNING:** To reduce the risk of electrical shock, turn off the electricity to the fan at the main fuse box or circuit panel before you begin the fan installation or before servicing the fan or installing accessories.

1. **READ ALL INSTRUCTIONS AND SAFETY INFORMATION CAREFULLY BEFORE INSTALLING YOUR FAN AND SAVE THESE INSTRUCTIONS.**

**CAUTION:** To avoid personal injury, the use of gloves may be necessary while handling fan parts with sharp edges.

2. Make sure all electrical connections comply with Local Codes or Ordinances, the National Electrical Code, and ANSI/NFPA 70-1999. If you are unfamiliar with electrical wiring or if the house/building wires are different colors than those referred to in the instructions, please use a qualified electrician.
3. Make sure you have a location selected for your fan that allows clear space for the blades to rotate, and at least seven (7) feet (2.13 meters) of clearance between the floor and the fan blade tips. The fan should be mounted so that the tips of the blades are at least thirty (30) inches (76 centimeters) from walls or other upright structures.
4. The outlet box and ceiling support joist used must be securely mounted, and capable of supporting at least 35 pounds (16 kilograms). The outlet box must be supported directly by the building structure. Use only CUL (Canada) or UL (USA) listed outlet boxes marked "FOR FAN SUPPORT."

**WARNING:** To reduce the risk of fire, electrical shock, or personal injury, mount to the outlet box marked "Acceptable for Fan Support of 15.9 kg (35 lb.) or less," and use the mounting screws provided with the outlet box. Most outlet boxes commonly used for the support of lighting fixtures are not acceptable for fan support and may need to be replaced. Consult a qualified electrician if in doubt.

**WARNING:** To reduce the risk of fire, electrical shock, or personal injury, wire connectors provided with this fan are designed to accept only one 12 gauge house wire and two lead wires from the fan. If your house wire is larger than 12 gauge or there is more than one house wire to connect to the corresponding fan lead wires, consult an electrician for the proper size wire connectors to use.

5. Electrical diagrams are for reference only.
6. After installation is complete, check that all connections are absolutely secure.
7. After making electrical connections, spliced conductors should be turned upward and pushed carefully up into the outlet box. The wires should be spread apart with the grounded conductor and the equipment-grounding conductor on opposite sides of the outlet box.

**WARNING:** To reduce the risk of electrical shock, fire and to prevent humming noise do not use this fan with any solid state speed control device or control fan speed with a full range dimmer switch. [Using a full range dimmer switch to control fan speed will cause a loud humming noise from fan.] (**Note:** This fan *is* suitable for use with remote control.)

8. Do not operate the reverse switch until fan has come to a complete stop. [Note: If using remote control with reverse capability, reverse fan blade direction only when on LOW speed.]
9. Do not insert anything between the fan blades while they are rotating.

**WARNING:** To reduce the risk of personal injury, do not bend the blade arms during assembly or after installation. Do not insert objects into the path of the blades.

**WARNING:** To avoid personal injury or damage to the fan and other items, be cautious when working around or cleaning the fan.

10. Do not use water or detergents when cleaning the fan or fan blades. A dry dust cloth or lightly dampened cloth will be suitable for most cleaning.

**WARNING:** To reduce the risk of personal injury, use **only** parts provided with this fan. **The use of parts OTHER than those provided with this fan will void the warranty.**

**WARNING:** This fan **MUST** be installed with the safety cable provided with the fan. Failure to use the safety cable provided may result in personal injury, damage to the fan or damage to other property.

**CAUTION:** Metal cover for use without light kit will be HOT if light is left on. To reduce the risk of personal injury, light kit must be OFF or disconnected **before** installing metal cover.

**CAUTION:** Do NOT tamper with or attempt to repair LED component of fixture. The light source is designed for this specific application and should not be serviced by untrained personnel. If any servicing is required, call our customer service department.

11. Light kit is dimmable to 10% with select dimmers.

Modifications not approved by the party responsible for compliance could void the user's authority to operate the equipment. [The equipment refers to the remote and/or wall control and/or LED light kit.]

NOTE: This equipment has been tested and found to comply with the limits for a Class B digital device, pursuant to Part 15 of the FCC Rules. These limits are designed to provide reasonable protection against harmful interference in a residential installation. This equipment generates, uses and can radiate radio frequency energy and, if not installed and used in accordance with the instructions, may cause harmful interference to radio communications. However, there is no guarantee that interference will not occur in a particular installation. If this equipment does cause harmful interference to radio or television reception, which can be determined by turning the equipment off and on, the user is encouraged to try to correct the interference by one or more of the following measures:

- \* Reorient or relocate the receiving antenna.
- \* Increase the separation between the equipment and receiver.
- \* Connect the equipment into an outlet on a circuit different from that to which the receiver is connected.

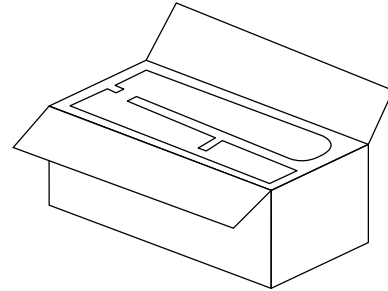
Consult the dealer or an experienced radio/TV technician for help.

The LED light kit complies with Part 15 of the FCC Rules. Operation is subject to the following two conditions: (1) this LED light kit may not cause harmful interference, (2) this LED light kit must accept any interference received, including interference that may cause undesired operation.

**NOTE:** The important safety precautions and instructions appearing in the manual are not meant to cover all possible conditions and situations that may occur. It must be understood that common sense and caution are necessary factors in the installation and operation of this fan.

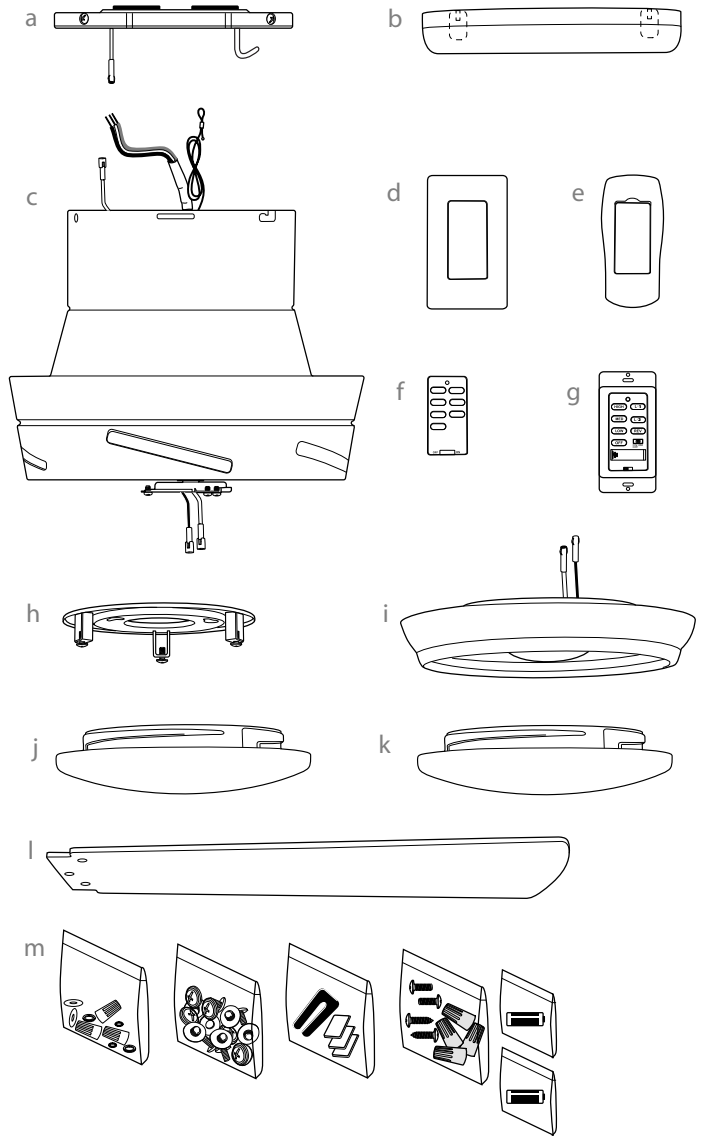
# 1. Unpacking Your Fan.

Carefully open the packaging. Remove items from Styrofoam inserts. Remove motor housing and place on carpet or Styrofoam to avoid damage to finish. Do not discard fan carton or Styrofoam inserts should this fan need to be returned for repairs. Check against parts inventory that all parts have been included.



# 2. Parts Inventory.

- a. mounting plate. 1 piece
- b. housing ring. 1 piece
- c. motor housing. 1 piece
- d. wall plate. 1 piece
- e. remote control cover. 1 piece
- f. faceplate. 3 pieces
- g. wall control. 2 pieces
- h. fitter plate. 1 piece
- i. LED light kit. 1 piece
- j. glass shade. 1 piece
- k. metal cover. 1 piece
- l. blade. 5 pieces
- m. hardware packs

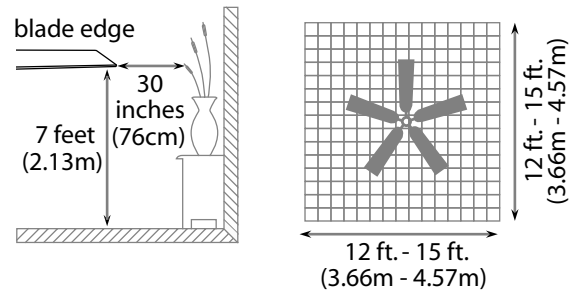


**⚠ IMPORTANT REMINDER:** You must use the parts provided with this fan for proper installation and safety. **⚠**

### 3. Installation Preparation.

To prevent personal injury and damage, ensure that the hanging location allows the blades a clearance of 7ft. (2.13m) from the floor and 30in. (76cm) from any wall or obstruction.

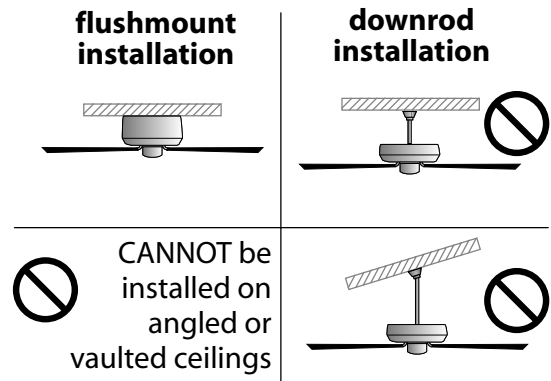
This fan is suitable for room sizes up to 225 square feet (20.9 square meters).



This fan can be mounted as a **flushmount** on a regular (no-slope) ceiling *only*. **Downrod** installations are **not** available for this fan.

#### Installation requires these tools:

Phillips screwdriver, flat-head screwdriver, adjustable pliers or wrench, stepladder, wire cutters, and rated electrical tape.



### 4. Mounting Plate Installation.

Turn off circuit breakers to current fixture from breaker panel and be sure operating light switch is turned to the OFF position.

**WARNING:** Failure to disconnect power supply prior to installation may result in serious injury.

Remove existing fixture.

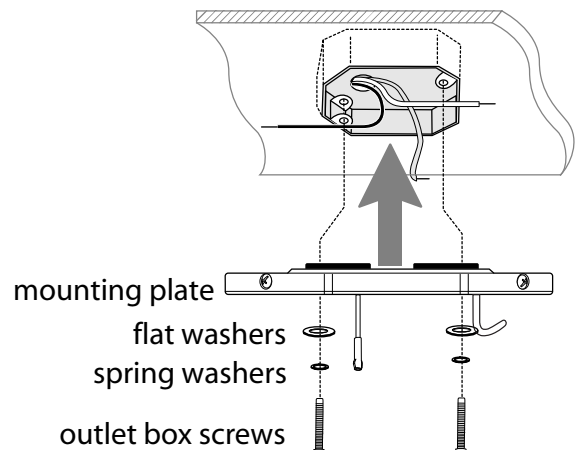
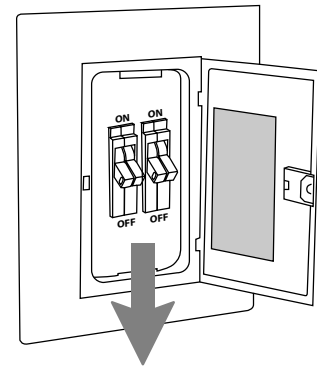
**WARNING:** When using an existing outlet box, be sure the outlet box is securely attached to the building structure and can support the full weight of the fan. Ensure outlet box is clearly marked "Suitable for Fan Support." If not, it must be replaced with an approved outlet box. Failure to do so can result in serious injury.

**CAUTION:** Be sure outlet box is grounded properly and that a ground wire (**GREEN** or bare) is present.

Install mounting plate to outlet box using original screws, spring washers and flat washers provided with new or original outlet box.\* Pull electrical wiring from outlet box through center hole in the mounting plate.

Locate screw on outer edge of mounting plate closest to the j-hook and remove that screw. Also, remove screw on outer edge of mounting plate directly opposite the screw that was just removed. Partially loosen the other 2 screws.

**\*Note:** It is very important that you use the proper hardware when installing the mounting plate as this will support the fan.



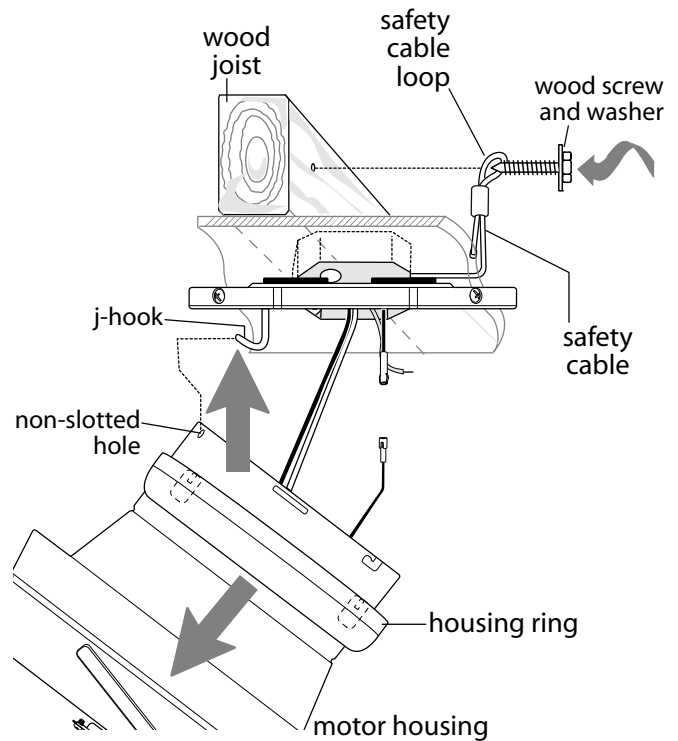
## 5. Preparation for Wiring.

With wider opening facing up, place housing ring over **top** of motor housing. Then, push housing ring down past top edge of motor housing.

Lift motor housing to mounting plate and then hang motor housing on j-hook on underside of mounting plate. (Use one of the *non-slotted* holes on the rim of the motor housing to do so.) This will allow motor housing to hang out of the way while wiring.

**Tip:** Seek the help of another person to hold the stepladder in place and to lift the fan up to you once you are set on the ladder.

Find a secure attachment point (wood ceiling joist highly recommended) and secure safety cable. It will be necessary to use a heavy duty wood screw, washer and lock washer (not supplied) with the safety cable loop. If necessary, adjust the loop at the end of the safety cable. The loop at the end of the safety cable should just fit over the threads on the wood screw. *Test safety cable by pulling on loose end of cable with pliers. If the safety cable slips, the loop must be adjusted smaller.* Extra cable slack can be left in ceiling area.



## 6. Wiring.

**WARNING:** Turn off circuit breakers to current fixture from breaker panel and be sure switch is turned to the OFF position.

**CAUTION:** Be sure outlet box is grounded properly and that a ground wire (**GREEN** or Bare) is present.

Make sure all electrical connections comply with Local Codes or Ordinances and the National Electrical Code. If you are unfamiliar with electrical wiring or if the house/building wires are different colors than those referred to below, please use a qualified electrician.

Once fan has been temporarily hung on the mounting plate, electrical wiring can be made as follows:

Connect **BLACK** wire from fan to **BLACK** wire from ceiling with wire connector provided.

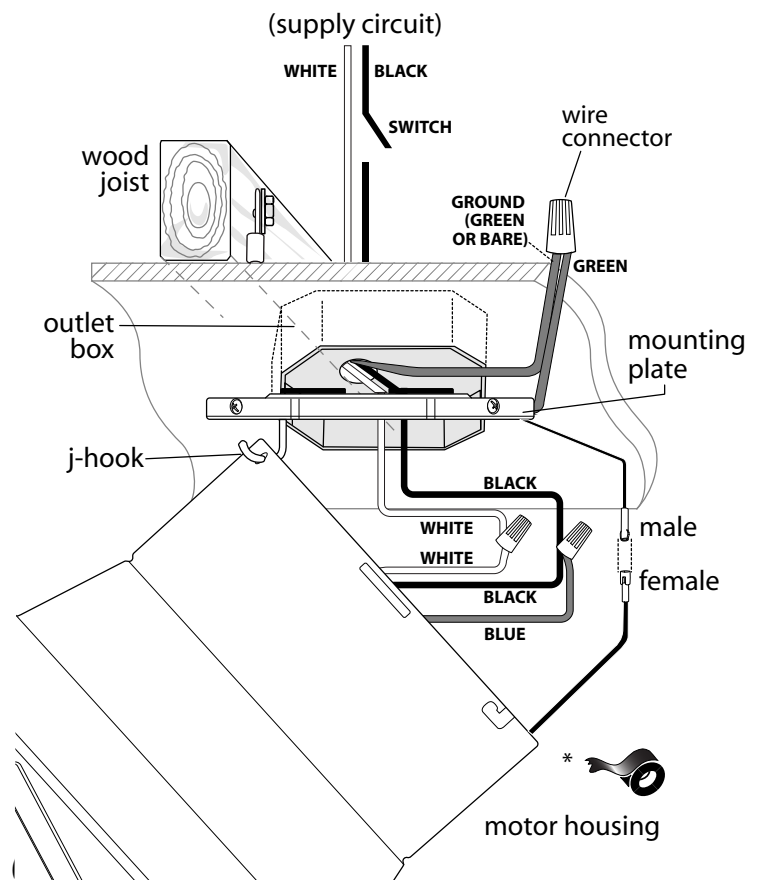
Connect **WHITE** wire from fan to **WHITE** wire from ceiling with wire connector provided.

Connect **GROUND (GREEN)** wire from mounting plate to **BARE/GREEN** wire from ceiling with wire connector provided.

\* Wrap each wire connector separately with electrical tape as an extra safety measure.

Connect male moxex plug from mounting plate to female moxex plug in top of motor housing. Be sure that moxex connections snap together completely.

**["Wiring" continued on next page.]**



## 6. Wiring. (cont.)

[**PLEASE NOTE:** Wall and/or handheld remote control must be used for fan to operate. *If you do **not** wish to use the wall control, please proceed to Section 7 to continue with fan installation.*]

**To install wall control**, remove existing wall switch. Wire one of the wall controls with wire connectors provided **as shown in diagram at right**.

\*Wrap each wire connector separately with electrical tape as an extra safety measure. Gently push wires and taped wire connectors into outlet box.

Install one 12-volt battery (included) in wall control.

**IMPORTANT:** Wall control will not function unless battery is installed.

Since this fan comes with pre-installed LED bulbs, the dimmer switch (labeled **DIM** and **ON**) has been pre-set to the "ON" position (**DIM**). If you do not wish to have dimming capability, please move the switch to the "OFF" position (**ON**).

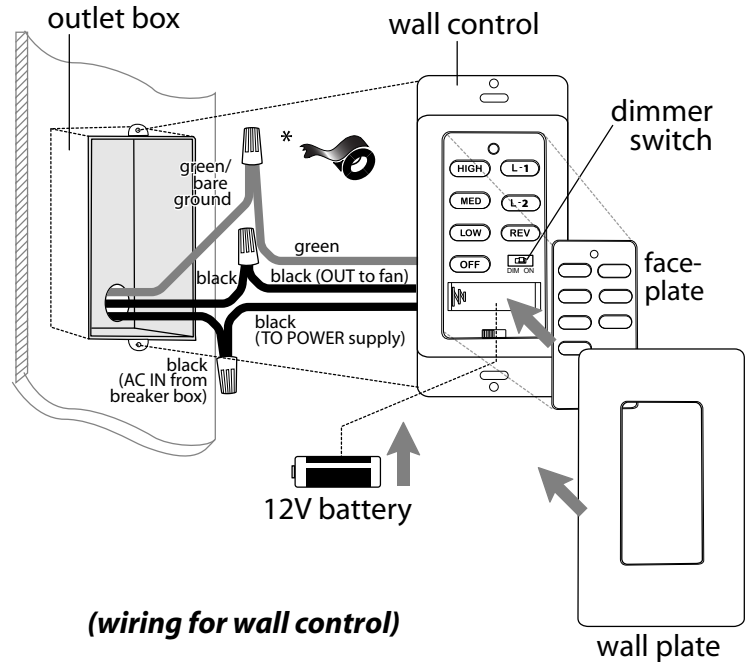
Select a faceplate (almond or white) and press firmly onto front of wall control. Attach wall control to outlet box and secure with screws from original wall switch. Attach wall plate (included) to wall control using 2 screws provided with the wall control.

Modifications not approved by the party responsible for compliance could void the user's authority to operate the equipment.

\*NOTE: This equipment has been tested and found to comply with the limits for a Class B digital device, pursuant to Part 15 of the FCC Rules. These limits are designed to provide reasonable protection against harmful interference in a residential installation. This equipment generates, uses and can radiate radio frequency energy and, if not installed and used in accordance with the instructions, may cause harmful interference to radio communications. However, there is no guarantee that interference will not occur in a particular installation. If this equipment does cause harmful interference to radio or television reception, which can be determined by turning the equipment off and on, the user is encouraged to try to correct the interference by one or more of the following measures:

- \* Reorient or relocate the receiving antenna.
- \* Increase the separation between the equipment and receiver.
- \* Connect the equipment into an outlet on a circuit different from that to which the receiver is connected.

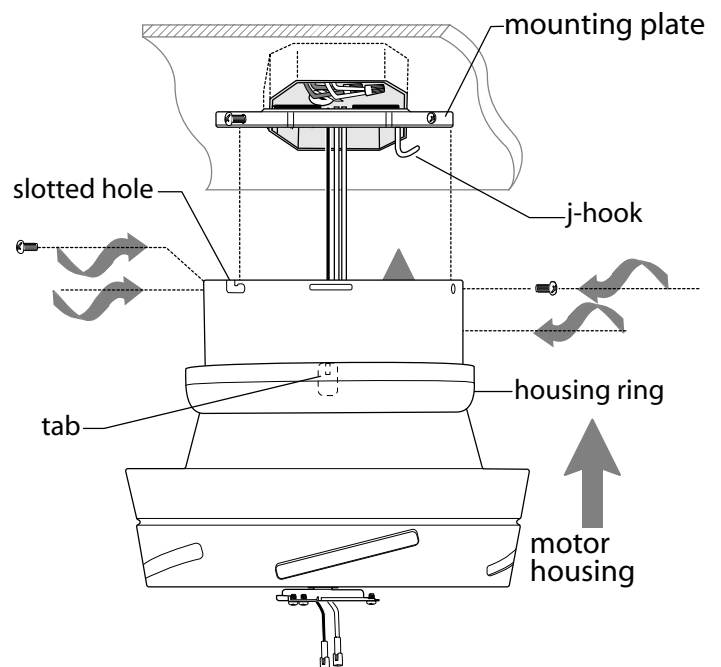
Consult the dealer or an experienced radio/TV technician for help.



## 7. Fan Assembly.

Remove motor housing from j-hook on mounting plate. Lift motor housing to mounting plate and carefully push wiring and wire connectors into outlet box. Align slotted holes on top rim of motor housing with loosened screws in mounting plate. Twist motor housing to lock. Re-insert the 2 screws that were previously removed (page 4, Section 4) and then tighten all 4 screws to secure motor housing.

Locate 4 tabs **inside** housing ring. Align tabs in housing ring with 4 screws at top of motor housing. The tabs must fit snugly **over** the screwheads to ensure a secure fit. **NOTE:** It is recommended to push one tab on at a time instead of doing all four at once.



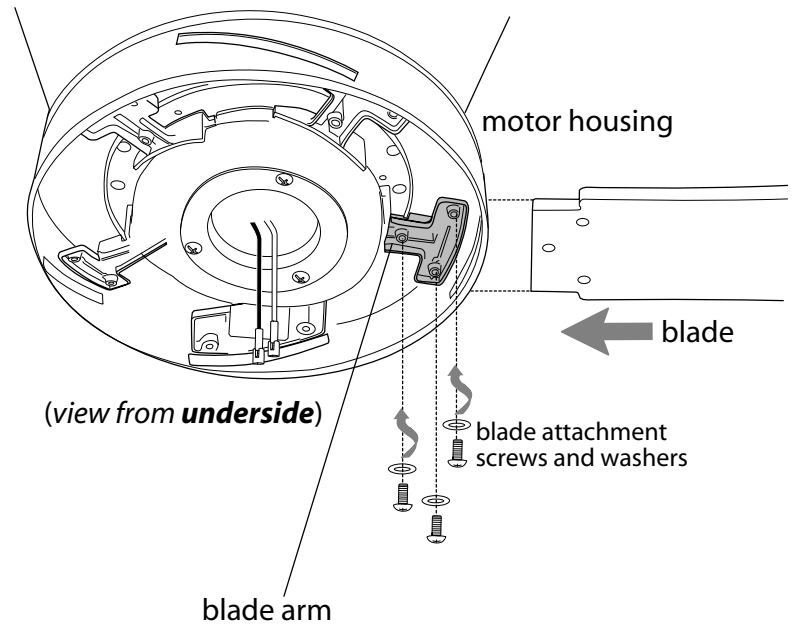
## 8. Blade Assembly.

**WARNING:** To reduce the risk of serious bodily injury, DO NOT use power tools to assemble the blades. If screws are overtightened, blades may crack and break.

**Time Saver:** Washers for blade attachment screws can be set on each screw prior to installing blades.

Locate 15 blade attachment screws and washers in hardware pack. Slide a blade through one of the narrow, rectangular openings on the motor housing, aligning holes in blade with holes in blade arm, which is pre-attached to the **underside** of the motor housing and located **inside** the motor housing--refer to drawing at right. Insert 3 blade attachment screws (along with washers) with fingers first and then tighten screws securely with a Phillips screwdriver. Repeat procedure for each remaining blade.

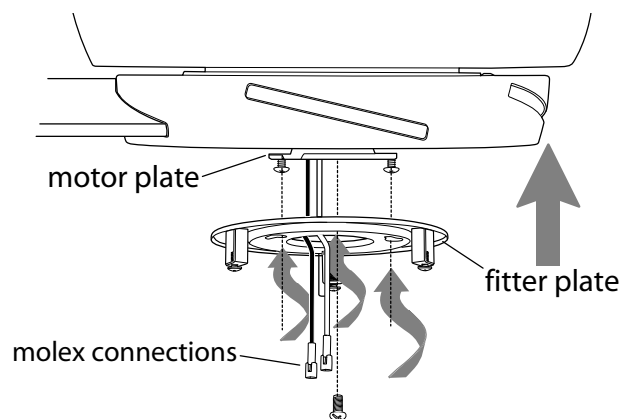
**NOTE:** Tighten blade attachment screws twice a year.



## 9. Light Kit Assembly (Optional).

Remove 1 screw from motor plate (on underside of motor) and partially loosen the other 2 screws. Align slotted holes in fitter plate with loosened screws in motor plate, allowing molex connections from motor housing to come through hole in middle of fitter plate. Twist fitter plate to lock. Re-insert screw that was just removed and tighten all 3 screws securely. [Refer to **diagram 1**.]

**["Light Kit Assembly" continued on next page.]**



## 9. Light Kit Assembly (Optional). (cont.)

Remove 1 screw from post on underside of fitter plate and partially loosen the other 2 screws.

Connect **WHITE** wire from motor housing to **WHITE** wire from LED light kit. Connect **BLACK** (or **BLUE**) wire from motor housing to **BLACK** wire from LED light kit. Be sure molex connections snap together securely. [Refer to **diagram 2**.]

**CAUTION:** If you will NOT be using the light kit, do NOT connect the molex connections.

Carefully arrange wiring in center of fitter plate. **WARNING:** Do NOT allow wires to remain outside of posts as this could damage the wires. **WARNING:** Make sure wires do not get pinched in between LED light kit and post(s) on fitter plate. This could cause damage to the wire(s).

Align slotted holes in LED light kit with loosened screws in fitter plate. Twist LED light kit to lock. Re-insert screw that was previously removed and tighten all 3 screws with a Phillips screwdriver. [Refer to **diagram 2**.]

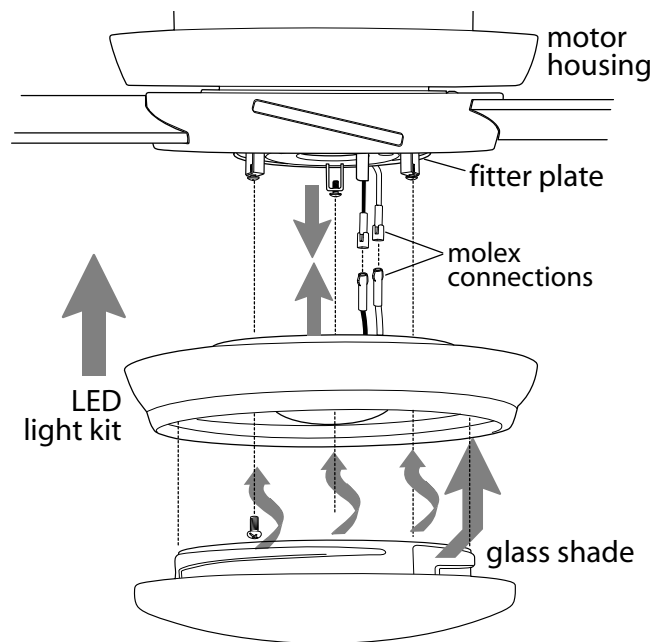
**If you wish to use the light kit**, align grooves on glass shade with nodules on inside of LED light kit and push up gently on glass shade. Twist glass shade to the **RIGHT** (clockwise) until glass shade no longer turns. [Refer to **diagram 2**.]

**NOTE:** The use of rubber grip gloves are recommended should you need to remove the glass shade.

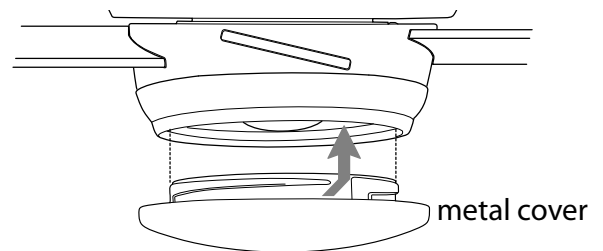
**If you do NOT wish to use the light kit**, locate slots on metal cover and align with nodules inside LED light kit. Push up on metal cover and turn to the **RIGHT** (clockwise) until it no longer turns. [Refer to **diagram 3**.]

**WARNING:** If you do not wish to use the light kit, do **NOT** connect the molex connections for the LED light kit.

**CAUTION:** Metal cover will be **HOT** if light is left on.



**diagram 2**



**diagram 3**



## 10. Assembly of Handheld Remote Control.

*IN ORDER TO USE THE HANDHELD REMOTE CONTROL, PLEASE CONTINUE WITH SECTION 10 for remote control assembly instructions. If you have already installed the wall control but do **not** wish to use the handheld remote control, please proceed to Section 11.*

Gently pull on remote control cover to separate top and bottom parts. [Refer to **diagram 1**.]

In order to use wall control as a handheld remote control, cut each wire on wall control (that was not previously used)--use wire cutters to cut off each wire as close to the wall control as possible. [Refer to **diagram 2**.]

Install one 12-volt battery (included) in wall control. [Refer to **diagram 2**.]

Since this fan comes with pre-installed LED bulbs, the dimmer switch (labeled **DIM** and **ON**) has been pre-set to the "ON" position (**DIM**). If you do not wish to have dimming capability, please move the switch to the "OFF" position (**ON**). [Refer to **diagram 2**.]

Attach **black faceplate** to front of wall control; press down firmly. [Refer to **diagram 3**.]

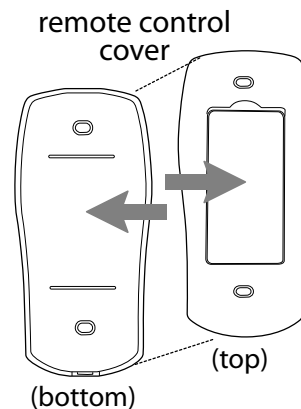
Align holes in wall control with posts located on *inside* of TOP part of remote control cover and press together firmly. Place wall control into BOTTOM part of remote control cover, aligning posts in top of remote control cover with post holes in the bottom. [Refer to **diagram 3**.]

(NOTE: Make sure to align narrower ends of remote control cover before closing.) Squeeze top and bottom of remote control cover together until you hear a click at each end, indicating that the remote control cover has closed completely.

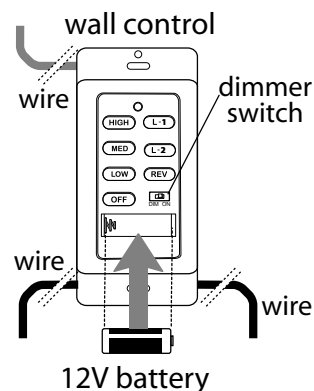
**IMPORTANT:** Store the handheld remote control away from excess heat or humidity. To prevent damage to handheld remote control, remove the battery if handheld remote control will not be used for long periods.

**CAUTION:** "DO NOT DISPOSE OF BATTERIES IN FIRE, BATTERIES MAY EXPLODE OR LEAK." - When disposing of household alkaline batteries, it is best to check with your local and state recycling or household hazardous waste coordinators concerning the specifics of the program in your area. You may also locate a recycling center by calling 1-800-8-BATTERY or 1-877-2-RECYCLE or visit [www.epa.gov/epawaste/index.htm](http://www.epa.gov/epawaste/index.htm) or [www.earth911.com](http://www.earth911.com) for more information.

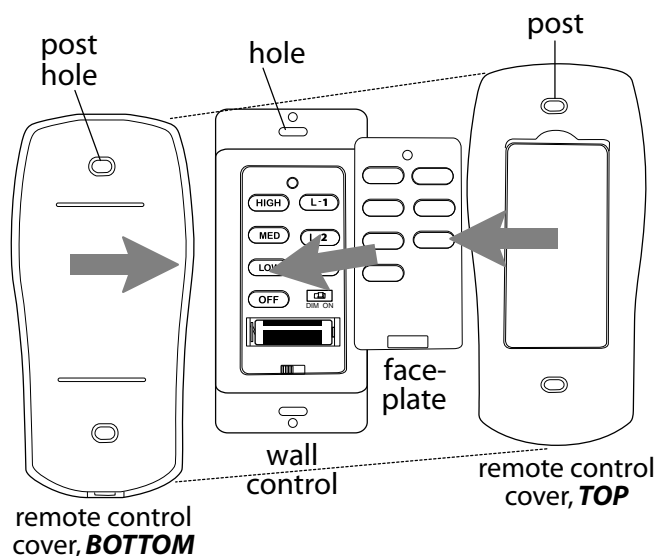
**WARNING: Choking Hazard** - Small parts. Keep battery away from children.



**diagram 1**



**diagram 2**



**diagram 3**

## 11. Automated Learning Process./Activating Code.

**CAUTION:** The wall and/or handheld remote control can be programmed to multiple receivers or fans. If this is not desired, turn wall switch off to any other programmable receiver or fan.

Restore electrical power and then, if using wall control, set slider switch on wall control to the ON position. Within 60 seconds of turning on the wall control, press and hold the fan **OFF** button on the wall control for 5 seconds (or until light blinks twice or fan blades begin to turn).

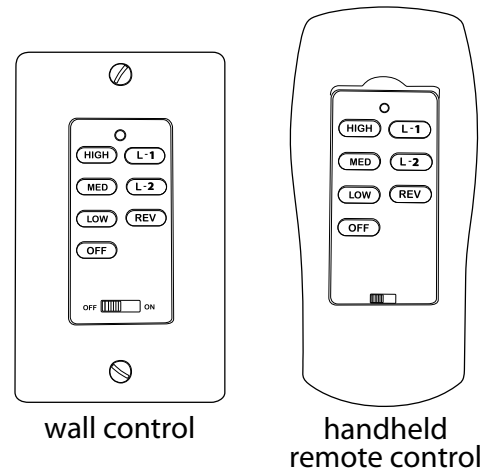
**Turn power off again for at least 5 seconds** and then turn power back on. Within 60 seconds of restoring the power, press and hold the **OFF** button on the front of the handheld remote control for 5 seconds (or until light blinks twice or fan blades begin to turn).

Test the light and fan functions to confirm the learning process is complete-- see Section 13 below.

---

## 12. Remote Control Operation.

- ON/OFF** slider switch - turns *wall control* ON or OFF  
(switch not functional on handheld remote)
- HIGH** button - turns *fan* to HIGH speed
- MED** button - turns *fan* to MEDIUM speed
- LOW** button - turns *fan* to LOW speed
- OFF** button - turns *fan* OFF
- L1** button - turns *light kit* ON/OFF when pressed once;  
dims *light kit* when pressed and held down
- L2** button - (not applicable for this fan)
- REV** button - used to REVERSE blade direction  
(fan must be set on *low* **before** reversing blade direction)



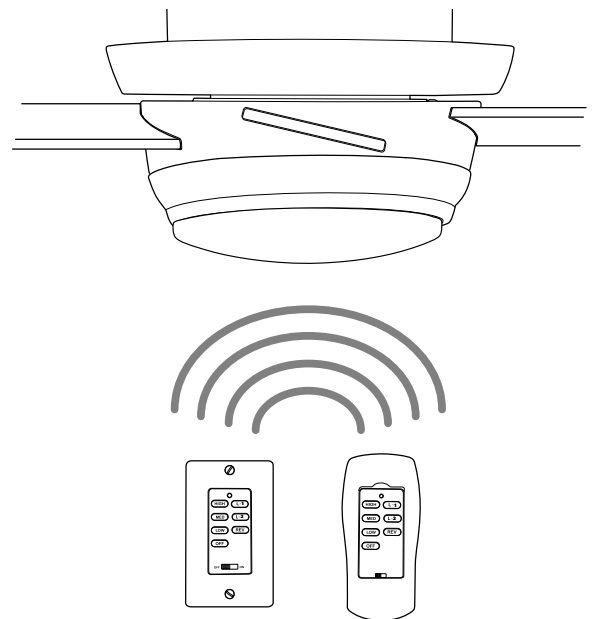
---

## 13. Testing Your Fan.

It is recommended that you test fan before finalizing installation. Restore power from circuit box and light switch (if applicable). Test wall control (optional installation) by locating ON/OFF slider switch on wall control, then set to the ON position. Test the light ON/OFF and dimmer function with L1 button and then test fan speeds. Next, locate handheld remote control. Test the light ON/OFF function by pressing the L1 button; test the dimmer function by pressing the L1 button and holding it down for up to 5 seconds. Test fan speeds with the different fan speed buttons. If the wall and/or handheld remote control operates all of the functions of the fan and light, batteries have been installed correctly. If the wall and/or handheld remote control do (does) not operate all of the fan/light functions, refer to "Troubleshooting" section to solve any issues before contacting Customer Service.

Fan *must* be on *LOW* *before* setting the fan to reverse direction. Use "reverse" button to recirculate air depending on the season.

**NOTE:** If the wall control/handheld remote control interfere(s) with other appliances, **turn off power** and go back to the instructions in Section 11 above.



## Troubleshooting.

**WARNING:** Failure to disconnect power supply prior to troubleshooting any wiring issues may result in serious injury.

**Problem:** Fan fails to operate.

**Solutions:**

1. Check wall switch to fan/wall control.
2. Check to be sure wall control (optional use) is wired properly.
3. Check to be sure fan is wired properly.
4. Learning process between fan, handheld remote control and, if applicable, wall control may not have been successful and code was not activated. Turn off power and repeat instructions in Section 11 (page 10).
5. Check that red light on handheld remote control turns on when a button is pressed indicating that the battery is good.

**Problem:** Light kit not lighting.

**Solutions:**

1. Check wall switch to fan/wall control.
2. Check that wires in canopy are wired properly.
3. Verify that molex connections in LED light kit are connected properly.
4. Learning process between fan, handheld remote control and, if applicable, wall control may not have been successful and code was not activated. Turn off power and repeat instructions in Section 11 (page 10).

**Problem:** Fan operates but light fails.

**Solutions:**

1. Check that wires in canopy are wired properly.
2. Verify that molex connections in LED light kit are connected properly.

**Problem:** Fan and light fail to operate with wall control (optional) and/or handheld remote control.

**Solutions:**

1. Check battery power in handheld remote control.
2. Learning process between fan, handheld remote control and, if applicable, wall control may not have been successful and code was not activated. Turn off power and repeat instructions in Section 11 (page 10).
3. If using optional wall control, check that battery in wall control is still good.

**Problem:** Fan wobbles.

**Solutions:**

1. Use the balancing kit in one of the hardware packs. *If no blade balancing kit is provided, please call Customer Support, at 1-800-486-4892, to request one.*
2. Carefully lower motor housing and verify that mounting plate is secure.
3. Check to be sure motor housing is turned completely and that mounting plate screws are secure.

## Warranty.

CRAFTMADE™ LIFETIME LIMITED WARRANTY:

CRAFTMADE warrants this fan to the original household purchaser for indoor use under the following provisions:

**1-YEAR WARRANTY:** CRAFTMADE will replace or repair any fan which has faulty performance due to a defect in material or workmanship. Contact Craftmade Customer Service at **1-800-486-4892** to arrange for return of fan. Return fan, shipping prepaid, to Craftmade. We will repair or ship you a replacement fan, and we will pay the return shipping cost.

**5-YEAR WARRANTY:** CRAFTMADE will repair or replace, at no charge to the original purchaser, any fan motor that fails to operate satisfactorily when failure results from normal use.

**RETURN FAN MOTOR ONLY,** shipping prepaid, to Craftmade Industries. We will repair or ship purchaser a replacement motor and Craftmade will pay the return shipping cost.

**6-YEAR to LIFETIME LIMITED WARRANTY:** CRAFTMADE will repair the fan, at no charge for labor only to the original purchaser, if the fan motor fails to operate satisfactorily when failure results from normal use. Parts used in the repair will be billed to the purchaser at prevailing prices at time of repair.

The purchaser shall be responsible for all costs incurred in the removal, reinstallation and shipping of the product for repairs.

This warranty does not apply when damage from mechanical, physical, electrical or water abuse results in causing the malfunction. Deterioration of finishes or other parts due to time or exposure to salt air is specifically exempted under this warranty.

Neither Craftmade nor the manufacturer will assume any liability resulting from improper installation or use of this product. In no case shall the company be liable for any consequential damages for breach of this, or any other warranty expressed or implied whatsoever. This limitation as to consequential damages shall not apply in states where prohibited.

## Parts Replacement.

For parts and information, please refer to "Parts Inventory" on page 3.

Craftmade Customer Support:

**1-800-486-4892**

[www.craftmade.com](http://www.craftmade.com)

# CRAFTMADE™