

Levy

## Installation Guide

For Model:  
**LVY24**

**WARNING:**  
**DC Motor will**  
**not operate**  
**until blades are**  
**installed**



E192641

net weight of fan: 16.98 lb (7.7 kg)—clear acrylic blades  
21.61 lb (9.8 kg)—wood blades

### Table of Contents:

Safety Tips. pg. 3  
Unpacking Your Fan. pg. 4  
Parts Inventory. pg. 4  
Installation Preparation. pg. 5  
Hanging Bracket Installation. pg. 5  
Fan Assembly. pgs. 6 - 7  
Wiring. pg. 8  
Canopy Assembly. pg. 8  
Blade Assembly. pg. 9  
Switch Housing Assembly. pg. 9  
Automated Learning Process./  
Activating Code. pg. 10  
Remote Control Operation. pg. 10  
Activating Your Ceiling Fan Smart  
Features. pg. 11  
Testing Your Fan. pg. 12  
Troubleshooting. pg. 13  
Warranty. pg. 13  
Parts, Replacement or  
Technical Assistance. pg. 13

# Activating Your New Smart Fan; Downloading the Bond Home App

- Using your smart device, navigate to the application store (Apple App store or Google Play), download the free **Bond Home** app and create account.
- Ensure the fan and receiver are receiving power from the house supply using the remote control to turn the fan and light ON and OFF.
- Open the **Bond Home App** on your smart device and follow step-by-step instructions included in the app to add your fan.
- Enjoy fan features and functionality that you can only get from activating the fan through the app.

## SAFETY TIPS.

**READ ALL INSTRUCTIONS AND SAFETY INFORMATION CAREFULLY BEFORE INSTALLING YOUR FAN AND SAVE THESE INSTRUCTIONS.**

### WARNING

- To reduce the risk of electrical shock, turn off the electricity to the fan at the main fuse box or circuit panel before you begin fan installation or before servicing the fan or installing accessories.
- To reduce the risk of fire, electrical shock, or personal injury, mount to the outlet box marked "Acceptable for Fan Support of 15.9 kg (35 lb) or less," and use the mounting screws provided with the outlet box. Most outlet boxes commonly used for the support of lighting fixtures are not acceptable for fan support and may need to be replaced. Consult a qualified electrician if in doubt.
- To reduce the risk of fire, electrical shock, or personal injury, wire connectors provided with this fan are designed to accept only one 12-gauge house wire and two lead wires from the fan. If your house wire is larger than 12-gauge or there is more than one house wire to connect to the corresponding fan lead wires, consult an electrician for the proper size wire connectors to use.
- To reduce the risk of fire or electrical shock, do not use this fan with any solid state speed control device or control fan speed with a full range dimmer switch. [Using a full range dimmer switch to control fan speed will cause a loud humming noise from fan.]
- To reduce the risk of personal injury or damage to the fan, do not bend the blades during assembly or after installation. Do not insert objects into the path of the blades while they are rotating.
- To reduce the risk of serious bodily injury, DO NOT use power tools to assemble any part of the fan, including the blades.
- To avoid personal injury or damage to the fan and other items, be cautious when working around or cleaning the fan.
- This fan **MUST** be installed with the safety cable provided with the fan. Failure to use the safety cable provided may result in personal injury, damage to the fan or damage to other property.
- To reduce the risk of personal injury, use only parts provided with this fan. **The use of parts OTHER than those provided with this fan will void the warranty.**

### CAUTION

- To avoid personal injury, the use of gloves may be necessary while handling fan parts with sharp edges.
- Do NOT tamper with or attempt to repair LED component of fixture. The light source is designed for this specific application and should not be serviced by untrained personnel. If any servicing is required, call our customer service department.
- Changes or modifications not approved by the party responsible for compliance could void the user's authority to operate the equipment. [The equipment refers to the remote and/or wall control and/or LED light kit.]  
NOTE: This equipment has been tested and found to comply with the limits for a Class B digital device, pursuant to Part 15 of the FCC Rules. These limits are designed to provide reasonable protection against harmful interference in a residential installation. This equipment generates, uses and can radiate radio frequency energy and, if not installed and used in accordance with the instructions, may cause harmful interference to radio communications. However, there is no guarantee that interference will not occur in a particular installation. If this equipment does cause harmful interference to radio or television reception, which can be determined by turning the equipment off and on, the user is encouraged to try to correct the interference by one or more of the following measures:
  - \* Reorient or relocate the receiving antenna.
  - \* Increase the separation between the equipment and receiver.
  - \* Connect the equipment into an outlet on a circuit different from that to which the receiver is connected.Consult the dealer or an experienced radio/TV technician for help.
- The LED light kit complies with Part 15 of the FCC Rules. Operation is subject to the following two conditions: (1) this LED light kit may not cause harmful interference, (2) this LED light kit must accept any interference received, including interference that may cause undesired operation.

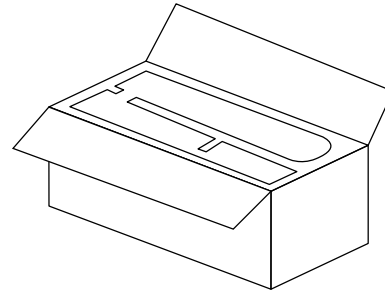
1. Make sure all electrical connections comply with Local Codes or Ordinances, the National Electrical Code, and ANSI/NFPA 70-1999. If you are unfamiliar with electrical wiring or if the house/building wires are different colors than those referred to in the instructions, please use a qualified electrician.
2. Make sure you have a location selected for your fan that allows clear space for the blades to rotate and at least seven (7) feet (2.13 meters) of clearance between the floor and the fan blade tips. The fan should be mounted so that the tips of the blades are at least thirty (30) inches (76 centimeters) from walls or other upright structures.
3. The outlet box and ceiling support joist used must be securely mounted, and capable of supporting at least 35 pounds (16 kilograms). The outlet box must be supported directly by the building structure. Use only CUL in Canada or UL in USA listed outlet boxes marked "FOR FAN SUPPORT."
4. Electrical diagrams are for reference only.
5. After installation is complete, check that all connections are absolutely secure.
6. After making electrical connections, spliced conductors should be turned upward and pushed carefully up into the outlet box. The wires should be spread apart with the grounded conductor and the equipment-grounding conductor on opposite sides of the outlet box.
7. Do not operate the reverse switch until the fan has come to a complete stop. **[Note: If using remote control with reverse capability, reverse fan blade direction only when on LOW speed.]**
8. Do not use water or detergents when cleaning the fan or fan blades. A dry dust cloth or lightly dampened cloth will be suitable for most cleaning.
9. Light kit is dimmable to 10% with the remote control included.

Distributed by: Craftmade, 3901 S. 20<sup>th</sup> Avenue, DFW Airport, TX, 75261; 800-486-4892

**NOTE:** The important safety precautions and instructions appearing in the manual are not meant to cover all possible conditions and situations that may occur. It must be understood that common sense and caution are necessary factors in the installation and operation of this fan.

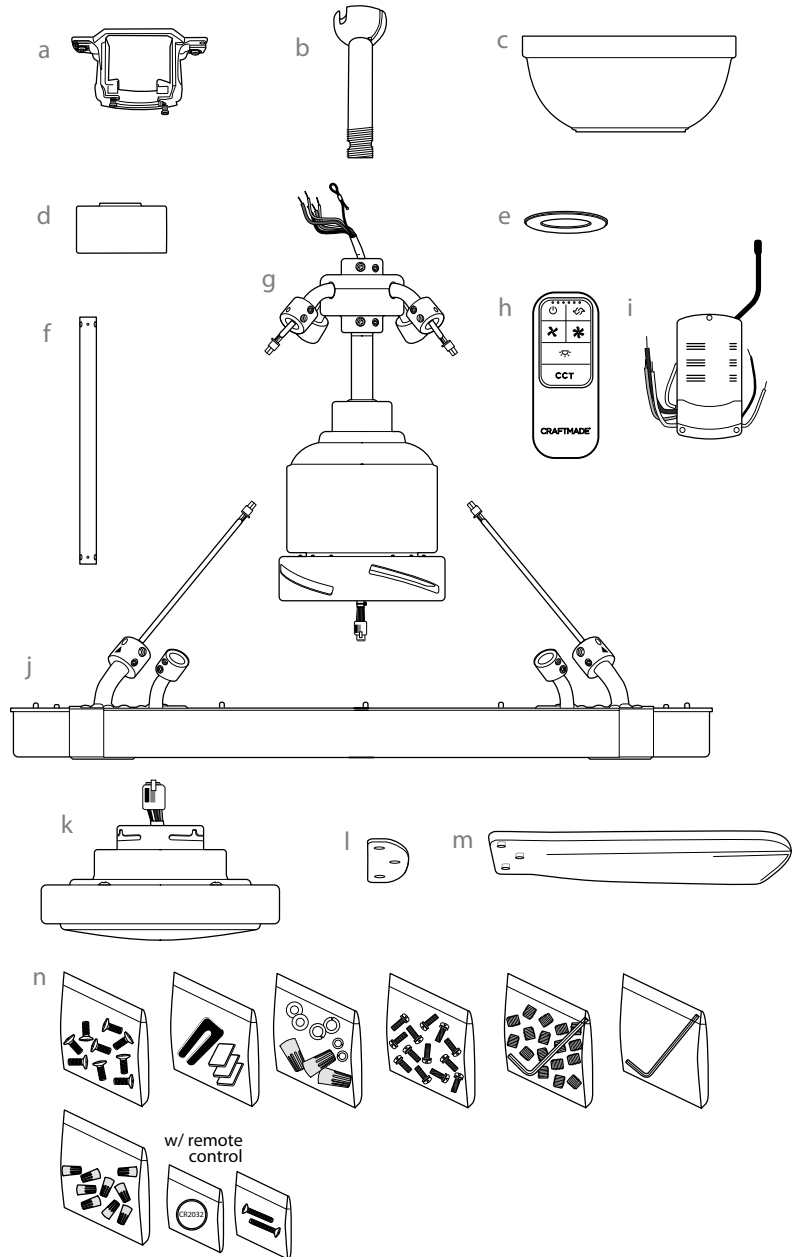
# 1. Unpacking Your Fan.

Carefully open the packaging. Remove items from Styrofoam inserts. Remove motor assembly and place on carpet or Styrofoam to avoid damage to finish. Do not discard fan carton or Styrofoam inserts should this fan need to be returned for repairs. Check against parts inventory that all parts have been included.



# 2. Parts Inventory.

- a.** hanging bracket. 1 piece
- b.** downrod and hanging ball. 1 piece
- c.** canopy. 1 piece
- d.** yoke cover. 1 piece
- e.** canopy cover. 1 piece
- f.** rod. 4 pieces
- g.** motor assembly. 1 piece
- h.** remote control transmitter. 1 piece
- i.** remote control receiver. 1 piece
- j.** LED light kit. 1 piece
- k.** switch housing. 1 piece
- l.** blade plate. 4 pieces
- m.** blade. 4 pieces
- n.** hardware packs



*\*Parts drawings in this manual are representative only*

**⚠ IMPORTANT REMINDER:** You must use the parts provided with this fan for proper installation and safety. **⚠**

### 3. Installation Preparation.

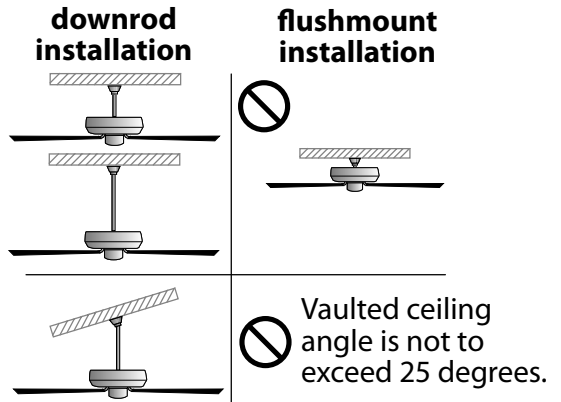
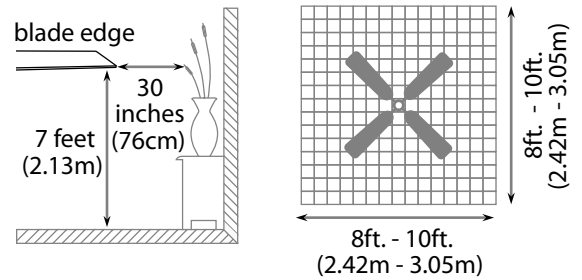
To prevent personal injury and damage, ensure that the hanging location allows the blades a clearance of 7 feet (2.13m) from the floor and 30in. (76cm) from any wall or obstruction.

This fan is suitable for room sizes up to 100 square feet (9.3 square meters).

This fan can be mounted with a **downrod** on a regular (no-slope) or vaulted ceiling. The hanging length can be extended by purchasing a longer downrod (0.5in./1.27cm diameter). Other installation, such as flushmount, is **NOT** available for this fan.

**Installation requires these tools:**

Phillips screwdriver, flat-head screwdriver, adjustable pliers or wrench, stepladder, wire cutters, and rated electrical tape.



### 4. Hanging Bracket Installation.

Turn off circuit breakers to current fixture from breaker panel and be sure operating light switch is turned to the OFF position.

**⚠ WARNING:** Failure to disconnect power supply prior to installation may result in serious injury.

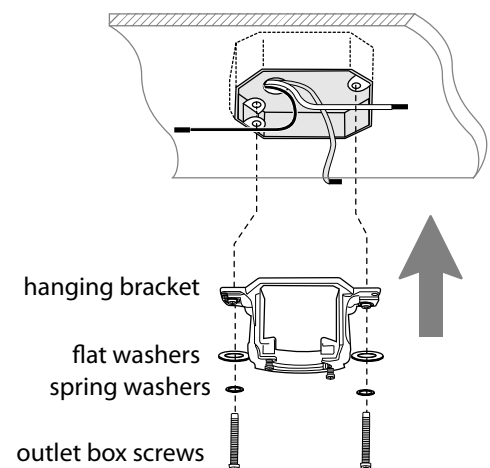
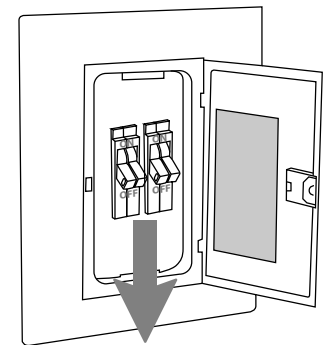
Remove existing fixture.

**⚠ WARNING:** When using an existing outlet box, be sure the outlet box is securely attached to the building structure and can support the full weight of the fan. Ensure outlet box is clearly marked "Suitable for Fan Support." If not, it must be replaced with an approved outlet box. Failure to do so can result in serious injury.

**⚠ CAUTION:** Be sure outlet box is grounded properly and that a ground wire (**GREEN** or bare) is present.

Install hanging bracket to outlet box using original screws, spring washers and flat washers provided with new or original outlet box.\* If installing on a vaulted ceiling, face opening of hanging bracket towards high point of ceiling. Arrange electrical wiring around the back of the hanging bracket and away from the bracket opening.

**\*Note:** It is very important that you use the proper hardware when installing the hanging bracket as this will support the fan.



## 5. Fan Assembly.

Locate small Allen wrench provided in hardware pack. Use Allen wrench to loosen pin in yoke at top of motor assembly and then remove it by pulling it out. If necessary, partially loosen set screws on yoke at top of motor assembly. [Refer to **diagram 1**.]

Place LED light kit (flat side down) on clean, flat surface that will not damage the LED ring. Locate all rod screws, Allen screws and large Allen wrench in a hardware pack--these will be used for installation of rods.

Partially install all Allen screws into LED light kit and top of motor assembly *as shown in drawing at right*. [Refer to **diagram 2**.]

**NOTE:** Be sure to install Allen screws with open end out so as to have access with Allen wrench later on.

Install rods by observing the arrows on each one--use the arrow on each rod to align with the arrow on the rod holder on the LED light kit. Once aligned, use rod screws to attach rods (one by one) to the LED light kit. [**IMPORTANT:** Install all 4 rods onto the LED light kit **BEFORE** starting to attach rods to the motor assembly.] 2 of the rods will simply be attached, the other 2 rods will require that the wiring from the LED light kit be threaded through the rod first. [Refer to **diagram 3**.]

When ready to attach the rods to the motor assembly, it is advisable to connect the moxle connection from the two rods that have wiring first--this will make it easier to align the rest of the rods with the motor assembly. Lastly, tighten each Allen screw to secure the LED light kit to the motor assembly. [Refer to **diagram 4**.]

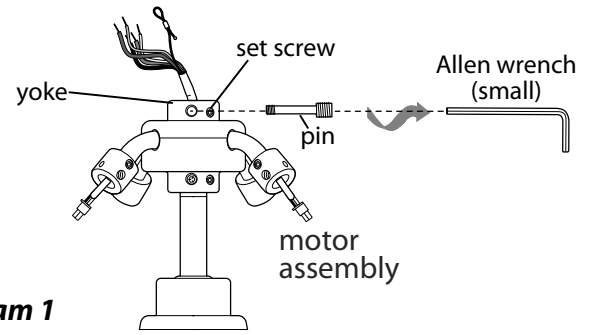
Once all 4 rods have been attached to LED light kit and motor assembly, securely tighten all Allen screws.

**⚠ WARNING:** Failure to tighten Allen screws securely may cause personal injury or damage to the product.

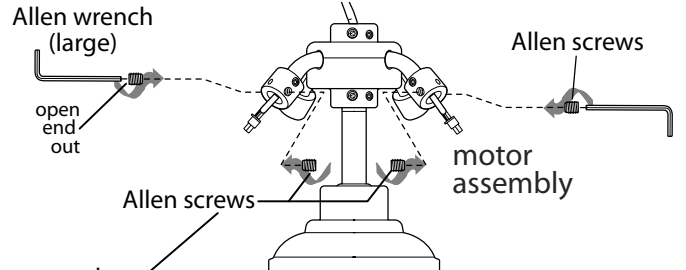
**Tip:** To prepare for threading electrical wires through downrod, apply a small piece of electrical tape to the ends of the electrical wires--this will keep the wires together when threading them through the downrod. [Refer to **diagram 4**.]

**["Fan Assembly" continued on next page.]**

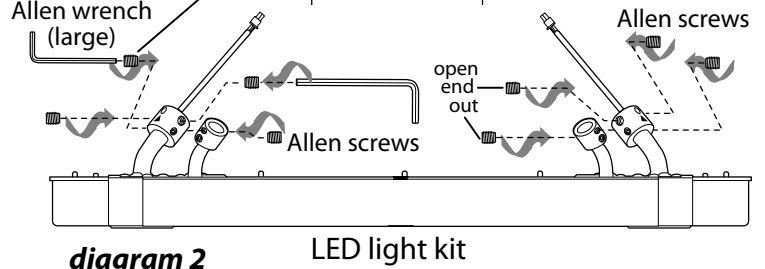
**NOTE:** The important safety precautions and instructions appearing in the manual are not meant to cover all possible conditions and situations that may occur. It must be understood that common sense and caution are necessary factors in the installation and operation of this fan.



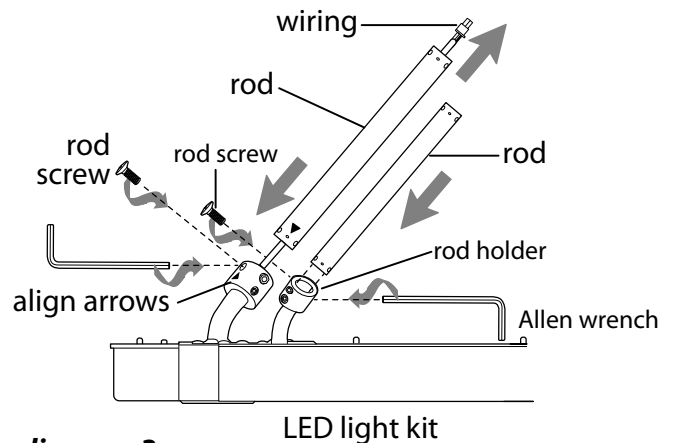
**diagram 1**



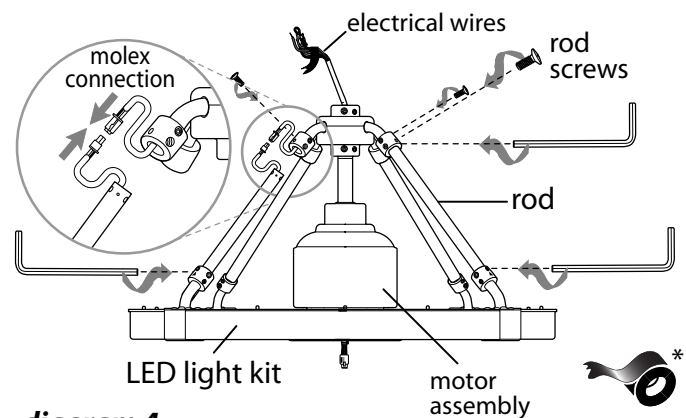
**diagram 2**



**diagram 3**



**diagram 4**



**diagram 5**

## 5. Fan Assembly. (cont.)

Determine the length of downrod you wish to use. Thread safety cable and electrical wires through threaded end of downrod and pull extra wire slack from the upper end of the downrod. [Refer to **diagram 5**.]

Thread downrod into the yoke on motor assembly until hole for pin in downrod aligns with hole in yoke--*make sure wires do not get twisted*. Re-insert pin that was previously removed. Securely tighten pin and set screws at top of motor assembly yoke using small Allen wrench [Refer to **diagram 5**.]

Slide yoke cover, canopy cover and canopy over downrod. [Refer to **diagram 5**.] (**NOTE:** Canopy cover must be turned with smooth side *toward* the motor assembly.)

Thread safety cable and wires through hanging ball; then slide hanging ball over downrod--the top of the downrod should be noted as having a set screw hole; use this hole when setting the set screw. Insert stop pin into top of downrod and raise hanging ball. Be sure stop pin aligns with slots on the inside of the hanging ball. Tighten set screw securely. [Refer to **diagram 6**.] Lower yoke cover to motor assembly.

**⚠ WARNING:** Failure to tighten set screw on hanging ball completely could result in the fan becoming loose and possibly falling.

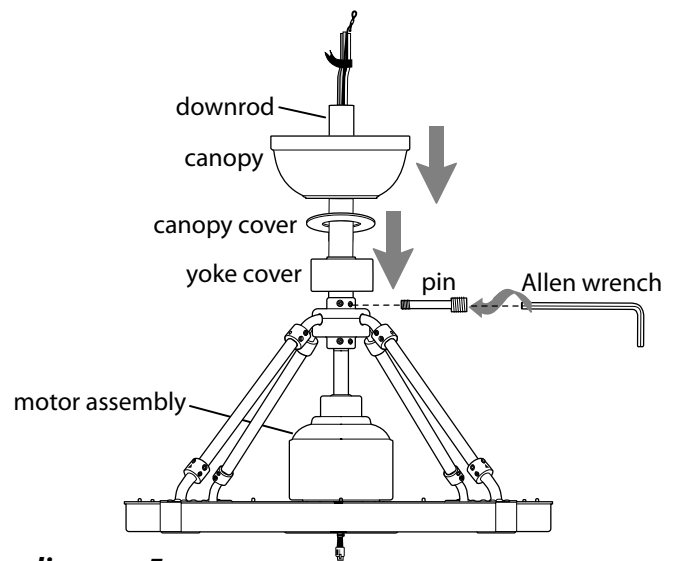
With the hanging bracket secured to the outlet box and able to support the fan, you are now ready to hang your fan. Grab the fan firmly with two hands. Slide downrod through opening in hanging bracket and let hanging ball rest on the hanging bracket. Turn the hanging ball slot until it lines up with the hanging bracket tab. [Refer to **diagram 7**.]

**⚠ WARNING:** Failure to align slot in hanging ball with tab in hanging bracket may result in serious injury or death.

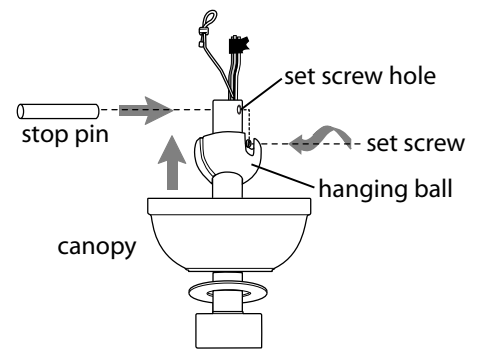
**Tip:** Seek the help of another person to hold the stepladder in place and to lift the fan up to you once you are set on the ladder.

Find a secure attachment point (wood ceiling joist highly recommended) and secure safety cable. It will be necessary to use a heavy duty wood screw, washer and lock washer (not supplied) with the safety cable loop. If necessary, adjust the loop at the end of the safety cable. The loop at the end of the safety cable should just fit over the threads on the wood screw. *Test safety cable by pulling on loose end of cable with pliers*. If the safety cable slips, the loop must be adjusted tighter. [Refer to **diagram 7**.]

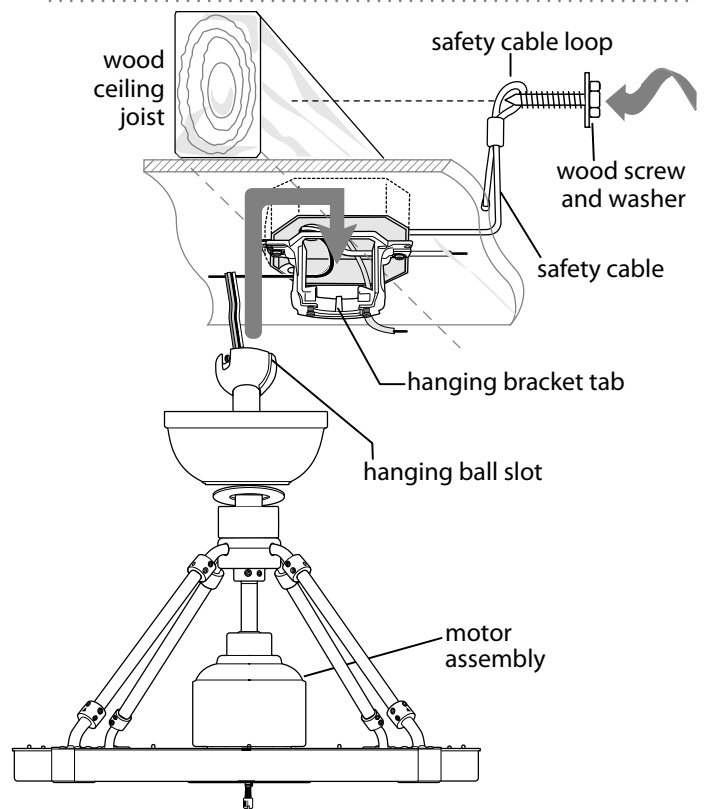
Extra cable slack can be left in ceiling area.



**diagram 5**



**diagram 6**



**diagram 7**

## 6. Wiring.

**⚠ WARNING:** Turn off circuit breakers to current fixture from breaker panel and be sure switch is turned to the OFF position.

**⚠ CAUTION:** Be sure outlet box is properly grounded and that a ground wire (**GREEN** or Bare) is present.

Make sure all electrical connections comply with Local Codes or Ordinances and the National Electrical Code. If you are unfamiliar with electrical wiring or if the house/building wires are different colors than those referred to in the diagram to the right, please use a qualified electrician.

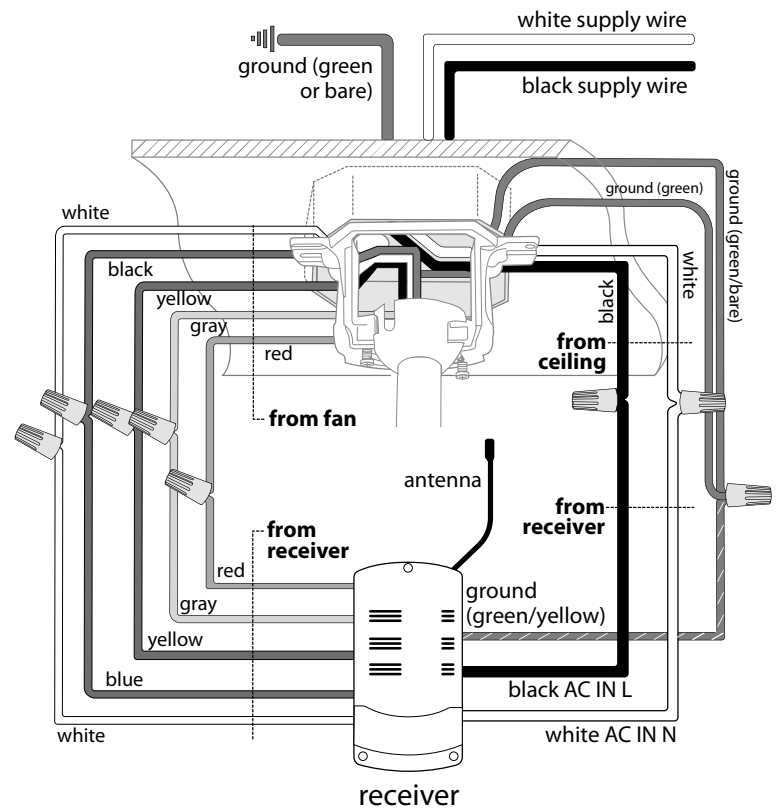
**Note:** Excess lead wire length from the fan can be cut to the desired length and then stripped.

When downrod is secured in place on the hanging bracket, wire the RECEIVER with wire connectors provided as shown in diagram at right.

**Tip:** While you are wiring, keep in mind that wires must not obstruct receiver from sliding into hanging bracket.

\* Wrap each wire connector separately with electrical tape as an extra safety measure.

Gently insert receiver (flat side up) into hanging bracket and carefully push wires and taped wire connectors into outlet box. Let antenna rest *outside* of hanging bracket.



(wiring for receiver)

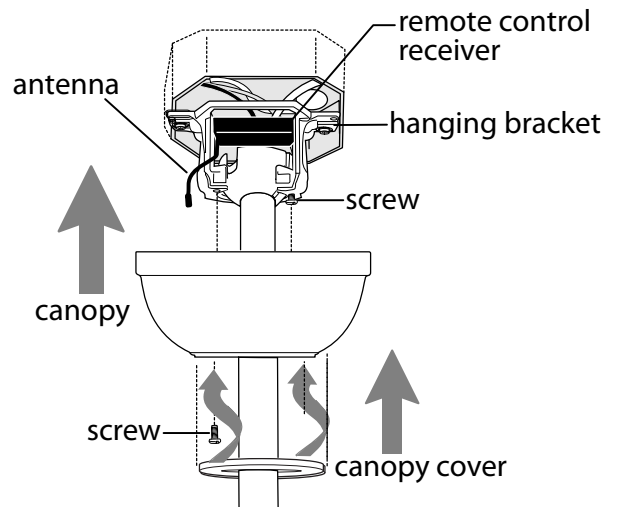


## 7. Canopy Assembly.

Locate 2 screws on underside of hanging bracket and remove screw closest to the open end of the hanging bracket. Partially loosen the other screw. Lift canopy to hanging bracket. Place rounded part of slotted hole in canopy over loosened screw in hanging bracket and push up. Twist canopy to lock. Re-insert screw that was removed and then tighten both screws securely.

Slide canopy cover up to canopy, aligning rounded part of slotted holes in canopy cover with screw heads in bottom of canopy. Turn canopy cover to the right (clockwise) until it stops.

\*Remember that antenna for remote control receiver must rest *outside* of hanging bracket.





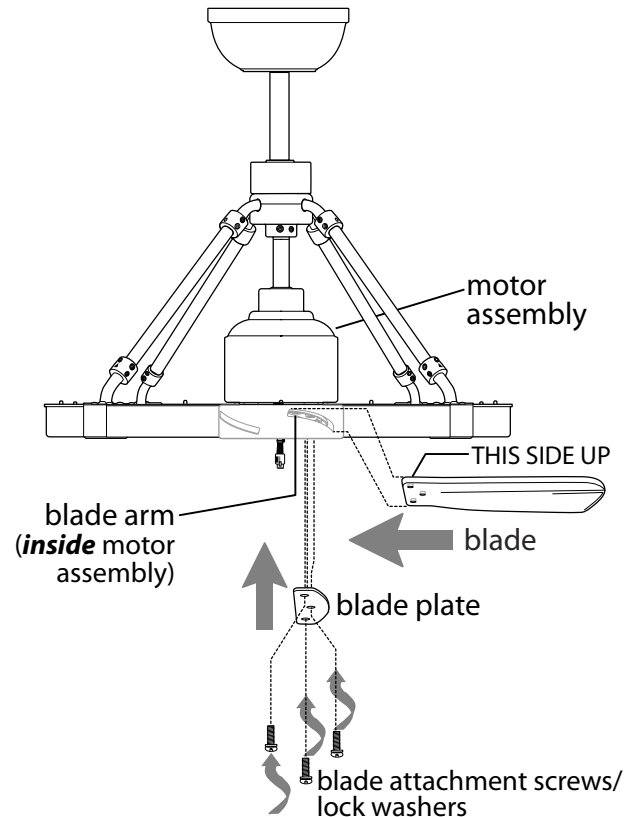
## 8. Blade Assembly.

**⚠ WARNING:** To reduce the risk of serious bodily injury, DO NOT use power tools to assemble the blades. If screws are overtightened, blades may crack and break.

Locate 12 blade screws/lock washers in a hardware pack.

Before installing each of the blades, note label on blade indicating **THIS SIDE UP**. Slide blade through one of the narrow, rectangular openings on motor assembly, aligning holes in blade with holes in blade arm (*located on the **INSIDE** of the motor assembly and can be seen from the **UNDERSIDE** of the motor assembly*)--refer to drawing at right. Hold 1 blade plate up to a blade, placing the flat side of the blade plate against the blade, and align holes as shown. Partially insert 3 blade screws/lock washers with fingers first, starting with the one in the middle, to attach blade to motor. Before securing screws permanently, repeat procedure for remaining blades. Securely tighten all screws only after all 4 blades have been attached.

**NOTE:** Tighten blade screws twice a year.



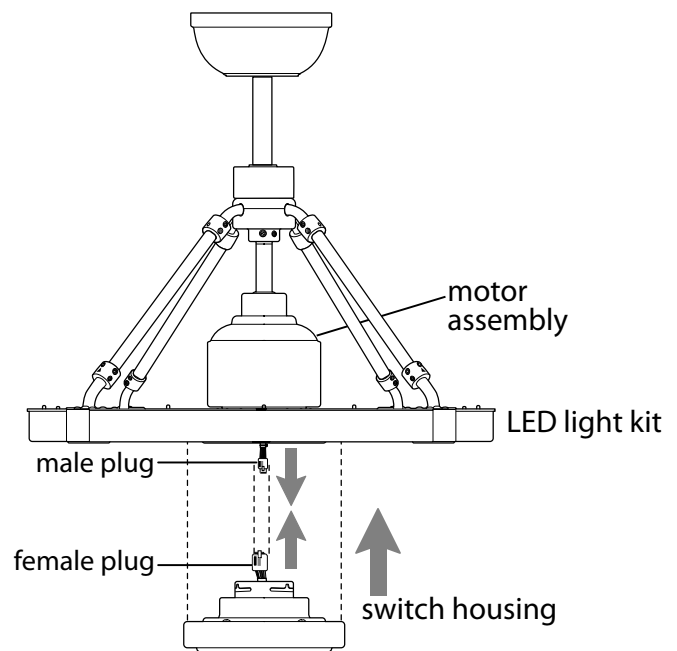
## 9. Switch Housing Assembly.

Connect female plug from switch housing to male plug from motor, matching up the colors on the male plug with the corresponding colors on the female plug for correct fit. **[NOTE:** It may be necessary to push back sleeve on wires to be certain of wire colors.] Make sure plugs connect completely.

Carefully arrange wiring within switch housing so as not to pinch wires when attaching switch housing to motor assembly.

Locate elongated slots in center of switch housing. Align elongated slots with the posts inside center of motor plate (located on underside of motor assembly) and push up. Twist switch housing to the **RIGHT** (clockwise) until switch housing locks into place.

*Pull down VERY GENTLY on switch housing to make sure switch housing is secure.*



## 10. Automated Learning Process./Activating Code.

**⚠ CAUTION:** The remote control transmitter can be programmed to multiple receivers or fans. If this is not desired, turn wall switch off to any other programmable receiver or fan.

Remove battery cover on backside of remote control by loosening screw on battery cover. Then use tab to open battery compartment. Install one 3-volt battery, size CR2032 (included).

**⚠ WARNING:** Battery is to be inserted with the correct polarity.

Restore electrical power.

**NOTE:** The remote control and receiver are pre-programmed from the factory. Should the remote control transmitter and receiver lose programming, follow these directions to re-program: **Turn the power off first.** Restore power and within 60 seconds of restoring the power, press and hold the fan **POWER** button (⏻) on the remote control for 5 seconds (or until fan blades begin to turn.) Test the light and fan functions to confirm the learning process is complete--see Section 13.

Re-attach battery cover and re-tighten screw.

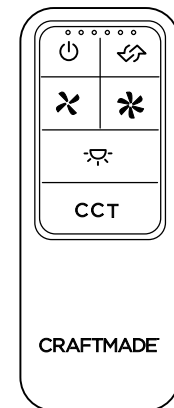
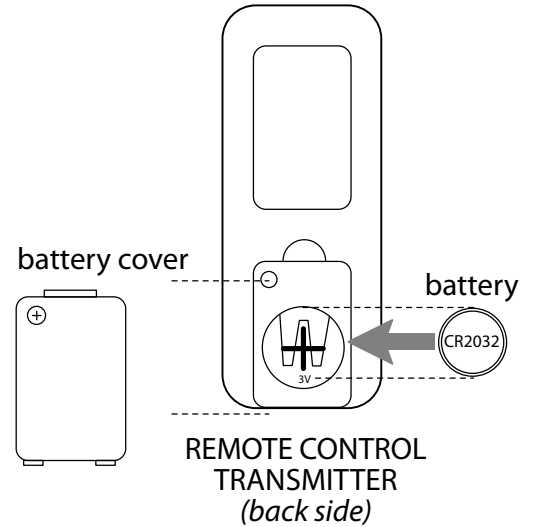
**IMPORTANT:** Store the remote control away from excess heat or humidity. To prevent damage to remote control, remove the battery if remote control will not be used for long periods.

**NOTE:** Remove battery with low or no charge and dispose of properly.

**⚠ CAUTION:** "DO NOT DISPOSE OF BATTERIES IN FIRE, BATTERIES MAY EXPLODE OR LEAK." - When disposing of household alkaline batteries, it is best to check with your local and state recycling or household hazardous waste coordinators concerning the specifics of the program in your area. You may also locate a recycling center by calling 1-800-8-BATTERY or 1-877-2-RECYCLE or visit [www.epa.gov/epawaste/index.htm](http://www.epa.gov/epawaste/index.htm) or [www.earth911.org](http://www.earth911.org) for more information.

**⚠ WARNING: Choking/Ingestion Hazard** - Small parts. Keep battery away from children. Keep new and used batteries out of reach of children. **DEATH or serious injury can occur if ingested.** A swallowed button cell or coin battery can cause **internal Chemical Burns** in as little as **2 hours.** **Seek immediate medical attention** if a battery is suspected to be swallowed or inserted inside any part of the body. For treatment information call the National Battery Ingestion Hotline: 1-800-498-8666.

**⚠ WARNING:** Battery is NOT rechargeable. Non-rechargeable batteries are not to be recharged.

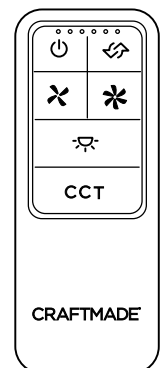


REMOTE CONTROL TRANSMITTER (front)

## 11. Remote Control Operation.

- ⏻ button - Use to turn fan ON/OFF
- ↻ button - Use to control fan direction
- ✖ button - Use to decrease fan speed. Blue LED lights will show the current speed.
- ✱ button - Use to increase fan speed. Blue LED lights will show the current speed.
- 💡 button - Use to turn light ON/OFF (if applicable). Press and hold down to use dimmer function.

CCT button - Use to change the LED color  
 Option 1: Warm White  
 Option 2: Bright White  
 Option 3: Daylight



remote control

## 12. Activating Your Ceiling Fan Smart Features. (Optional)

To enjoy all your ceiling fan smart features (such as Breeze speed setting, Schedules, Voice Activation, and more), you must connect it to your Wi-Fi network.

Please follow these steps:

1. Download the **Bond Home App**, available on the Google Play Store and Apple App Store, or use the QR code to download the app.
2. Open the **Bond** application.
  - If you already have a **Bond** account, simply log in and continue to Step 3. If you do not have a **Bond** account, press "**Create Account**" and enter your name, email and create a password.
3. Select "+" to add a device.
4. Select "**Smart By Bond**" (SBB).
5. Connect the **Bond Home App** to your ceiling fan by following the on-screen instructions. You can find your **Bond** Configuration ID in the ceiling fan packaging.
6. Once the **Bond** application connects to the fan, select "**CONTINUE**" to proceed.
7. Test the fan functions:
  - You have the option to disable the light function if your fan does not have a light.
8. Select "**YES, IT WORKS!**"
9. Specify information about your fan:
  - Select "**Location**" and choose from one of the predefined entries or add your own by selecting "**OTHER**". When finished, select "**Save**".
  - Select device name and enter the name for your device. When finished, select "**OK**" to save.  
**PLEASE NOTE:** The name you inform will be used by voice assistants (such as Google Assistant, Amazon Alexa, and others) so a simple, easy-to-remember name is optimal.
10. Select "**Continue**".
11. Select the Wi-Fi network you would like to connect the SBB to.
12. Enter the Wi-Fi password and select "**OK**".
  - If there is an issue with the connection or wrong password is entered, you will receive an error message. Select "**OK, I've Got It**".
13. Once the connection is made, select "**DONE**".
14. If the SBB fan is not displayed in the Bond application, swipe down to refresh.



For assistance at any time during this process, go to the "**Help**" section of the app:

- Tap on "**Settings**"
- Tap on "**Help Center**"
- Choose "**Open a Ticket**" or "**Live Chat**"

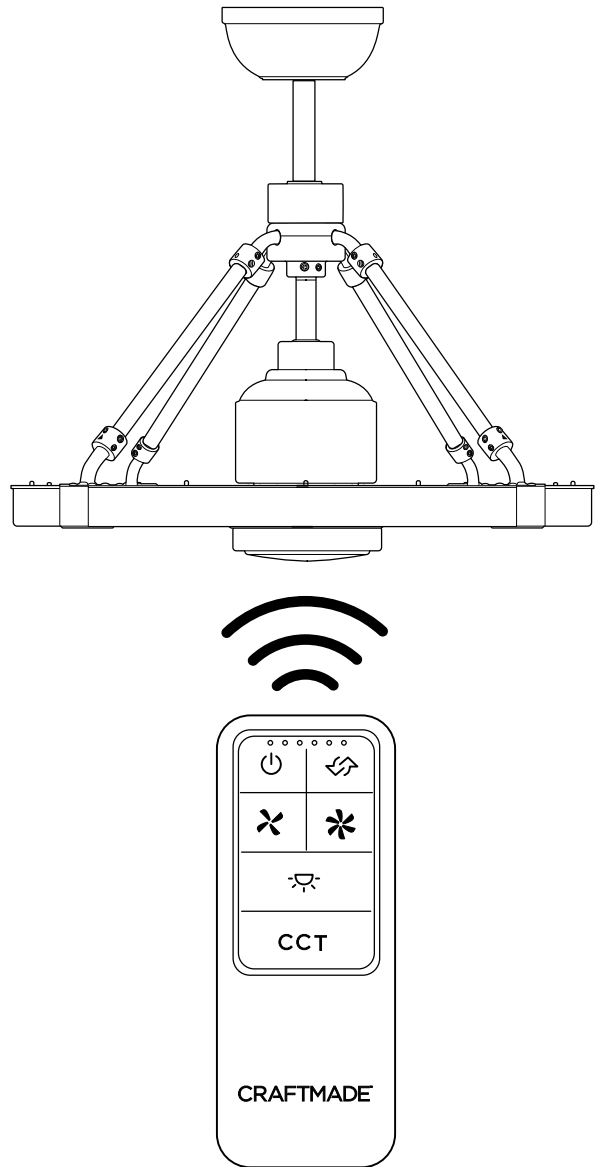
## 13. Testing Your Fan.

It is recommended that you test fan before finalizing installation. Restore power from circuit box and light switch (if applicable). Test fan speeds with the 2 different fan speed buttons ✕ / ✱. When changing fan speed, the small LED lights at the top of the remote control will light to indicate current fan speed (1 - 6). Test the light ON/OFF function by pressing the ⏻ button; test the dimmer function by pressing the 🌞 button and holding it down for up to 5 seconds. Test the CCT button for the different LED colors. [Refer to Section 11 for different levels.] If the remote control operates all of the functions of the fan and light, the battery has been installed correctly. If the remote control does not operate all of the fan/light functions, refer to "Troubleshooting" section to solve any issues before contacting Customer Service.

Fan *must* be on LOW *before* setting the fan to reverse direction. Use the ↻ button to recirculate air depending on the season. A ceiling fan will allow you to raise your thermostat setting in summer and lower your thermostat setting in winter without feeling a difference in your comfort.

**NOTE:** If the remote control interferes with other appliances, **turn power off first** and then go back to the instructions in Section 10, page 10.

**IMPORTANT:** Remote control must be synchronized with fan in order to properly function.



## Troubleshooting.

**⚠ WARNING:** Failure to disconnect power supply prior to troubleshooting any wiring issues may result in serious injury.

**Problem:** Fan fails to operate.

**Solutions:**

1. Check wall switch to fan.
2. Verify that receiver is wired properly.
3. Check to be sure fan is wired properly.
4. Learning process between remote control transmitter may not have been successful and code was not activated. Turn off power and repeat instructions in Section 10 (page 10).
5. Check that blue light on remote control turns on when a button is pressed indicating that the battery is good.

**Problem:** Light kit not lighting.

**Solutions:**

1. Check wall switch to fan.
2. Check that wires in canopy are wired properly.
3. Verify that male/female plug in switch housing are connected properly.
4. Learning process between remote control transmitter may not have been successful and code was not activated. Turn off power and repeat instructions in Section 10 (page 10).

**Problem:** Fan operates but light fails.

**Solutions:**

1. Check that wires in canopy are wired properly.
2. Verify that male/female plugs in switch housing are connected properly.

**Problem:** Fan and light fail to operate with remote control transmitter.

**Solutions:**

1. Check battery power in remote control.
2. Learning process between remote control transmitter may not have been successful and code was not activated. Turn off power and repeat instructions in Section 10 (page 10).

**Problem:** Fan wobbles.

**Solutions:**

1. Use the balancing kit provided in one of the hardware packs. *If no blade balancing kit is provided, please call Customer Support, 800-486-4892, to request one.*
2. Check to be sure set screw(s) on motor assembly yoke is (are) tightened securely.
3. Check to be sure set screw on hanging ball is tightened securely.

## Warranty.

**CRAFTMADE LIMITED LIFETIME WARRANTY:**

CRAFTMADE warrants this fan for use as intended under the following provision: CRAFTMADE will replace any fan which has faulty performance due to a defect in material or workmanship or fails to operate satisfactorily when failure results from normal use. Contact Craftmade Customer Service at **800-486-4892, Option 1** or via email at **customerservice@craftmade.com**.

In the event a product is no longer available, CRAFTMADE will make best efforts to offer a comparable product or credit towards another CRAFTMADE fan.

The purchaser shall be responsible for all costs incurred in the removal and reinstallation.

This warranty does not apply when damage from mechanical, physical, electrical or water abuse results in causing the malfunction. Deterioration of finishes or other parts due to time or exposure to salt air is specifically exempted under this warranty. Shades and light bulbs are not covered by this warranty but will be replaced if found broken at time of purchase.

Neither CRAFTMADE nor the manufacturer will assume any liability resulting from improper installation or use of this product. In no case shall the company be liable for any consequential damages for breach of this, or any other warranty expressed or implied whatsoever. This limitation as to consequential damages shall not apply in states where prohibited.

## Parts, Replacement or Technical Assistance.

For parts, replacement, technical assistance or additional information, please have the fan model number, name or picture available and contact Craftmade in one of the following ways:

Customer Support:

**800-486-4892, Option 1**

Technical Support:

**800-486-4892, Option 2**

Email:

customerservice@craftmade.com

www.craftmade.com

**CRAFTMADE™**