

## LED Disk Light Kit Installation Guide

For Model:  
LK3102-XX

Table of Contents:

- Safety Tips. pg. 2
- Warranty. pg. 2
- Unpacking Your Fixture. pg. 3
- Parts Inventory. pg. 3
- Initial Installation. pgs. 4 - 5
- Wiring. pg. 5
- Final Installation. pg. 6
- Troubleshooting. pg. 7
- Parts, Replacement or  
Technical Assistance. pg. 7



net weight of light kit: 1.86lb (0.85 kg)



## SAFETY TIPS.

**READ ALL INSTRUCTIONS AND SAFETY INFORMATION CAREFULLY BEFORE INSTALLING YOUR FAN AND SAVE THESE INSTRUCTIONS.**



### DANGER

DO NOT damage or cut the wire insulation (covering) during installation of fixture. DO NOT permit wires to contact any surface having a sharp edge. To do so may damage or cut the wire insulation, which could cause serious injury or death from electrical shock.



### WARNING

- To reduce the risk of electrical shock, turn off the electricity to the fan at the main fuse box or circuit panel before you begin the installation or before servicing or installing the fixture.
- To reduce the risk of fire, electrical shock, or personal injury, each wire connector provided with this light kit can accept only one 18 gauge wire from the light kit and no more than two 18 gauge wires from the ceiling fan. If there are more than three wires to connect or any of the wires is larger than 18 gauge, consult an electrician for the proper size wire connectors to use.
- To reduce the risk of serious bodily injury, DO NOT use power tools to assemble any part of the light kit.
- To avoid personal injury or damage to the fan and other items, be cautious when working around or cleaning the fixture.



### CAUTION

- Do NOT tamper with or attempt to repair LED component of fixture. The light source is designed for this specific application and should not be serviced by untrained personnel. If any servicing is required, call our customer service department.
- Changes or modifications not approved by the party responsible for compliance could void the user's authority to operate the equipment. [The equipment refers to the remote and/or wall control and/or LED light kit.]

NOTE: This equipment has been tested and found to comply with the limits for a Class B digital device, pursuant to Part 15 of the FCC Rules. These limits are designed to provide reasonable protection against harmful interference in a residential installation. This equipment generates, uses and can radiate radio frequency energy and, if not installed and used in accordance with the instructions, may cause harmful interference to radio communications. However, there is no guarantee that interference will not occur in a particular installation. If this equipment does cause harmful interference to radio or television reception, which can be determined by turning the equipment off and on, the user is encouraged to try to correct the interference by one or more of the following measures:

- \* Reorient or relocate the receiving antenna.
- \* Increase the separation between the equipment and receiver.
- \* Connect the equipment into an outlet on a circuit different from that to which the receiver is connected.

Consult the dealer or an experienced radio/TV technician for help.

- The LED light kit complies with Part 15 of the FCC Rules. Operation is subject to the following two conditions: (1) this LED light kit may not cause harmful interference, (2) this LED light kit must accept any interference received, including interference that may cause undesired operation.

1. Make sure all electrical connections comply with Local Codes or Ordinances, the National Electrical Code, and ANSI/NFPA 70-1999. If you are unfamiliar with electrical wiring or if the house/building wires are different colors than those referred to in the instructions, please use a qualified electrician.
2. After installation is complete, check that all connections are absolutely secure.
3. DO NOT suspend any fixture by the house wires. A fixture must always be mounted directly to a ceiling fan that is mounted directly to an outlet box. Wire connectors will not support the weight of a fixture. Suspending a fixture by the house wires and wire connectors will result in the fixture falling, with the possibility of personal injury and the danger of electrical shock or fire.
4. If you are not sure the lighting system has a grounding means, DO NOT attempt to install this fixture. Contact a qualified, licensed electrician for information regarding the proper grounding methods as required by the local electrical code in your area.
5. All fixtures must be mounted to a ceiling fan that is mounted to an outlet box that is supported by the building structure.
6. Do not use detergents when cleaning the fan or fan blades. A dry dust cloth or lightly dampened cloth will be suitable for most cleaning.
7. Light kit is dimmable to 10%.

Distributed by: Craftmade, 3901 S 20th Avenue, DFW Airport, TX, 75261; 1-800-486-4892

**NOTE:** The important safety precautions and instructions appearing in the manual are not meant to cover all possible conditions and situations that may occur. It must be understood that common sense and caution are necessary factors in the installation and operation of this fan.

## WARRANTY.

CRAFTMADE™ 3-YEAR LIMITED WARRANTY:

CRAFTMADE warrants this light kit to the original household purchaser for indoor use under the following provisions:

**3-YEAR WARRANTY:** CRAFTMADE will replace or repair any light kit which has faulty performance due to a defect in material or workmanship. Contact Craftmade Customer Service at **1-800-486-4892** to arrange for return of light kit. Return light kit, shipping prepaid, to Craftmade. We will repair or ship you a replacement light kit, and we will pay the return shipping cost.

The purchaser shall be responsible for all costs incurred in the removal, reinstallation and shipping of the product for repairs.

This warranty does not apply when damage from mechanical, physical, electrical or water abuse results in causing the malfunction.

Deterioration of finishes or other parts due to time or exposure to salt air is specifically exempted under this warranty.

Neither Craftmade nor the manufacturer will assume any liability resulting from improper installation or use of this product. In no case shall the company be liable for any consequential damages for breach of this, or any other warranty expressed or implied whatsoever.

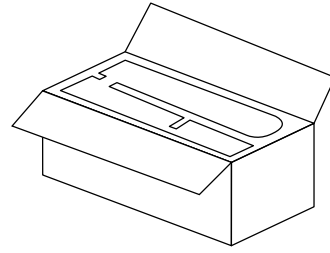
This limitation as to consequential damages shall not apply in states where prohibited.

# 1. Unpacking Your Fixture.

Carefully open the packaging. Remove items from Styrofoam inserts. Do not discard carton or Styrofoam inserts should this fixture need to be returned for repairs.

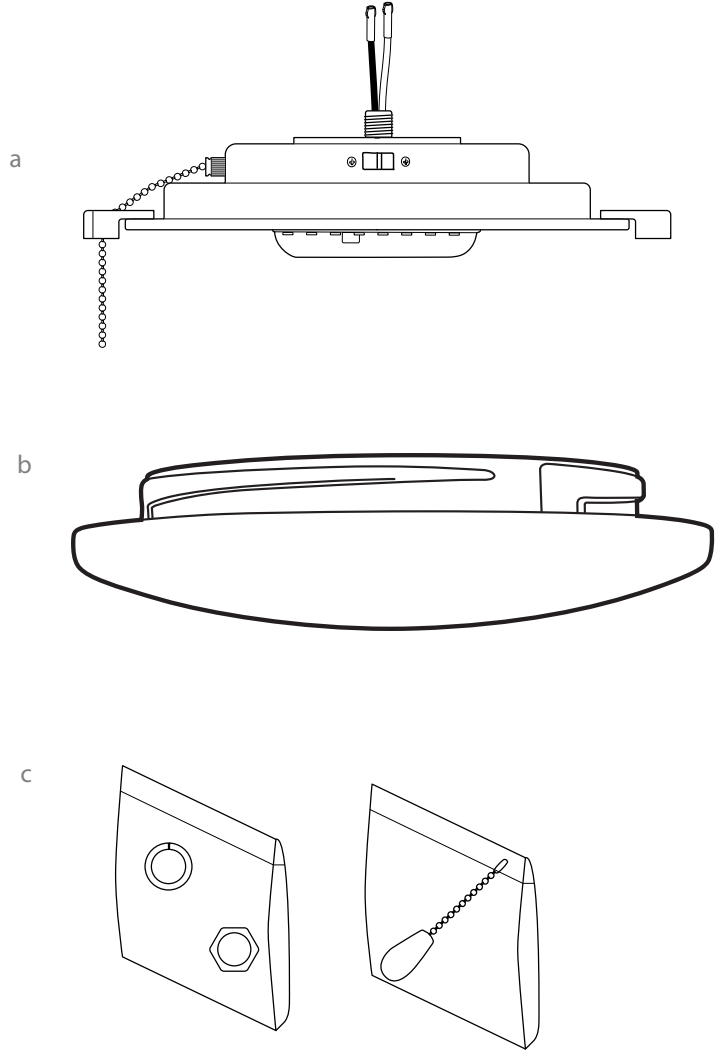
Check against parts inventory that all parts have been included.

---



# 2. Parts Inventory.

- a. light kit fitter. 1 piece
- b. shade. 1 piece
- c. hardware packs.



---

**⚠ IMPORTANT REMINDER:** You must use the parts provided with this fixture for proper installation and safety. **⚠**

---

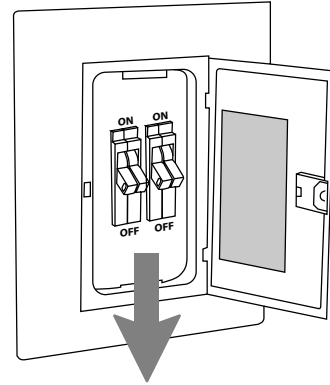
### 3. Initial Installation.

**Installation requires these tools:**

Safety glasses, Phillips screwdriver, adjustable pliers, stepladder, and rated electrical tape.

Turn off circuit breakers to current ceiling fan from breaker panel and be sure operating light switch is turned to the OFF position. [Refer to **diagram 1**.]

**⚠ WARNING:** Failure to disconnect power supply prior to installation may result in serious injury.

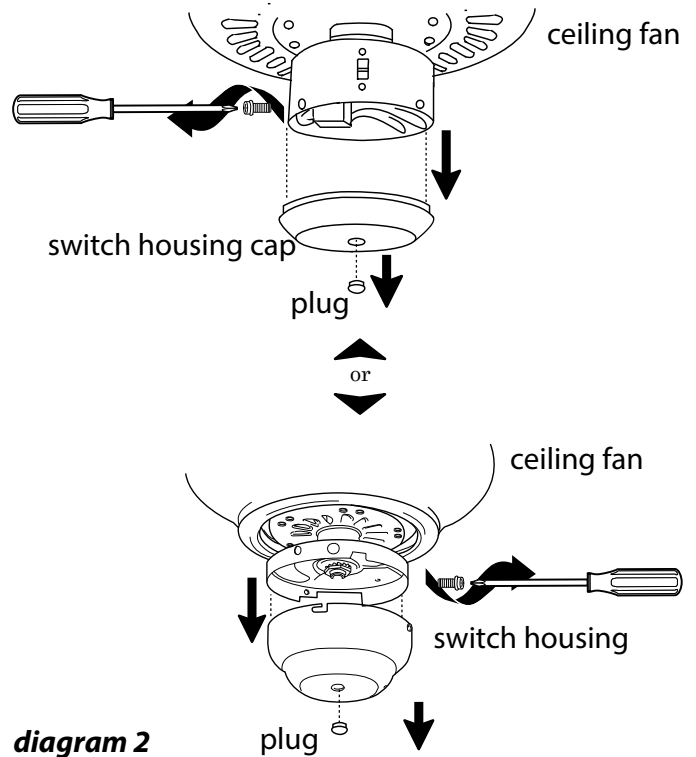


**diagram 1**

**NOTE:** All drawings that appear in this manual for ceiling fans, switch housing and switch housing cap are representative only.

Remove switch housing cap or switch housing from bottom of fan. Remove plug from center of switch housing cap/switch housing. [Refer to **diagram 2**.]

[“Initial Installation” continued on next page.]

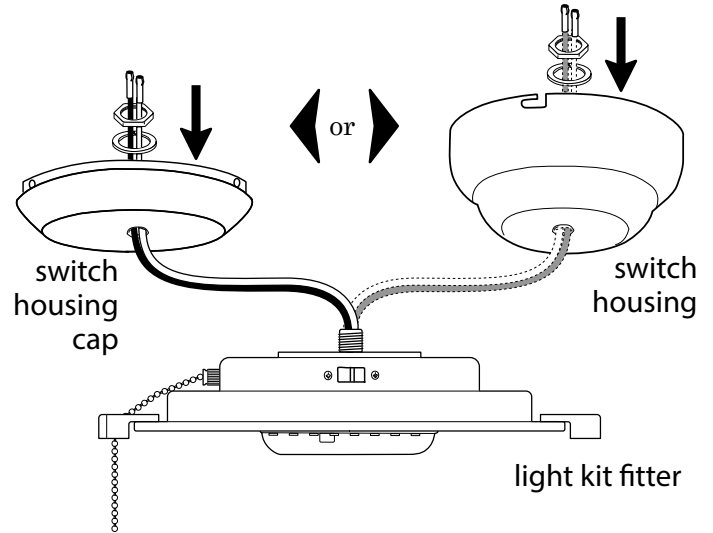


**diagram 2**

### 3. Initial Installation. (cont.)

Locate lock washer and hex nut in hardware pack.

Thread electrical wires from light kit fitter through hole in switch housing cap/switch housing. Screw light kit fitter to switch housing cap/switch housing and secure with lock washer and hex nut. Tighten hex nut securely to prevent unnecessary vibration. [Refer to **diagram 3.**]

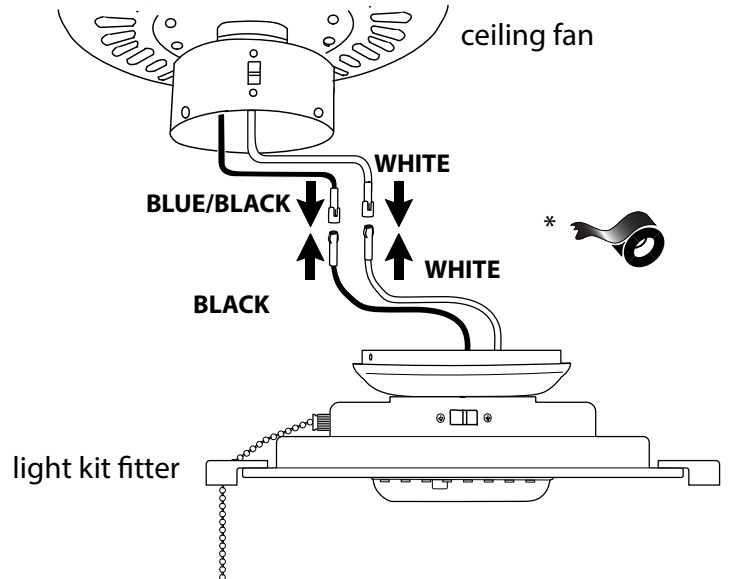


**diagram 3**

### 4. Wiring.

Connect **WHITE** wire from light kit fitter to **WHITE** wire from fan. Connect **BLACK** wire from light kit fitter to **BLUE** (or **BLACK**) wire from fan. Make sure that molex connections snap together completely.

Tape each molex connection and wire with listed electrical tape.



**diagram 4**

## 5. Final Installation.

Carefully push excess wiring into switch housing. Attach switch housing cap/switch housing to fan using original screws (from ceiling fan) and tighten securely.

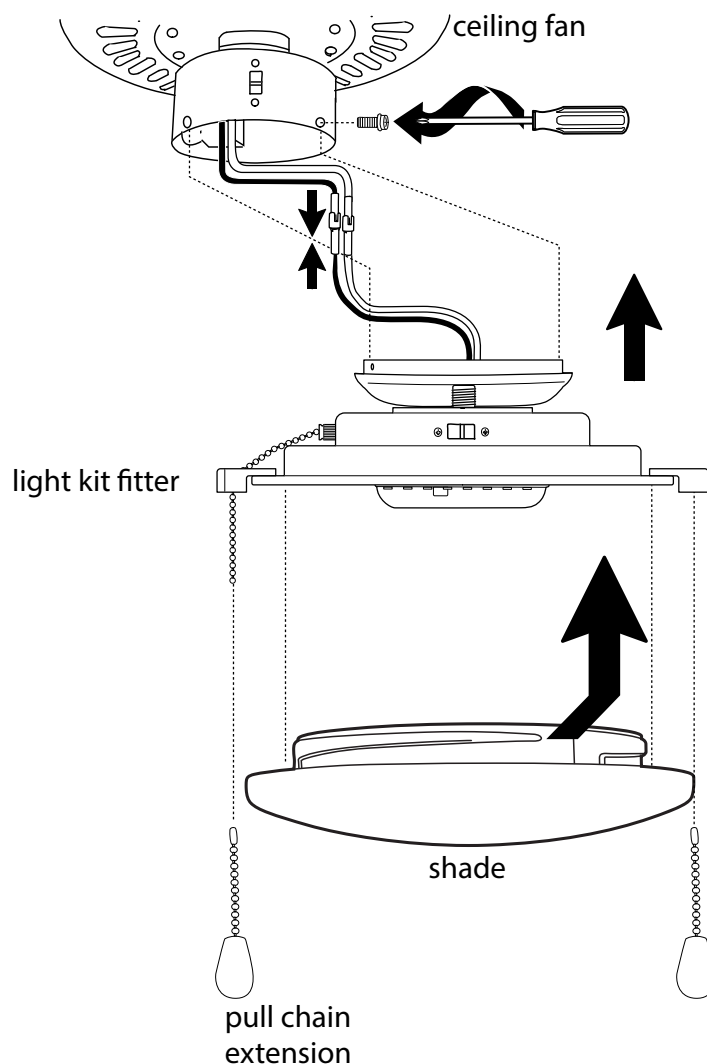
Align slots on shade with nodules on underside of light kit fitter. Push up gently on shade and turn shade clockwise until it no longer turns.  
*Pull down VERY GENTLY on shade to make sure shade is secure.*

Remove pull chain extension from fan pull chain if you have not already done so. Thread fan pull chain through corresponding pull chain guide on the outer rim of the light kit fitter. Attach pull chain extension provided to one pull chain. Re-attach pull chain extension that was previously removed to the other pull chain.

Restore electricity and test light. Refer to the "Troubleshooting Guide" (on the following page) if light does not function.

Color mode switch provides three light color options:

- Option 1 : Warm White
- Option 2 : Bright White
- Option 3 : Daylight



## Troubleshooting.

Minor problems can be fixed without an electrician.

**⚠ CAUTION:** Before doing any work on the light kit, shut off power supply.

**⚠ WARNING:** *Failure to disconnect power supply prior to troubleshooting any wiring issues may result in serious injury.*

**Problem:** Light kit will not light.

**Solutions:**

1. Check if power supply is on
2. Check wiring.
3. Contact Customer Service (if LED component not working properly is the cause.)

**Problem:** Fuse blows or circuit breaker trips when turned on.

**Solutions:**

1. Check wiring .
2. Check all connections.

**NOTE:** If using remote and/or wall control, pull chains for fan and light must be set to HIGH and ON, respectively, for remote control devices to work properly.

## Parts, Replacement or Technical Assistance.

For parts, replacement, technical assistance or additional information, please have the light kit model number, name or picture available and contact Craftmade in one of the following ways  
Customer Support:

**1-800-486-4892**, Option 1

Technical Support:

**1-800-486-4892**, Option 2

Email:

[customerservice@craftmade.com](mailto:customerservice@craftmade.com)

[www.craftmade.com](http://www.craftmade.com)

CRAFTMADE™