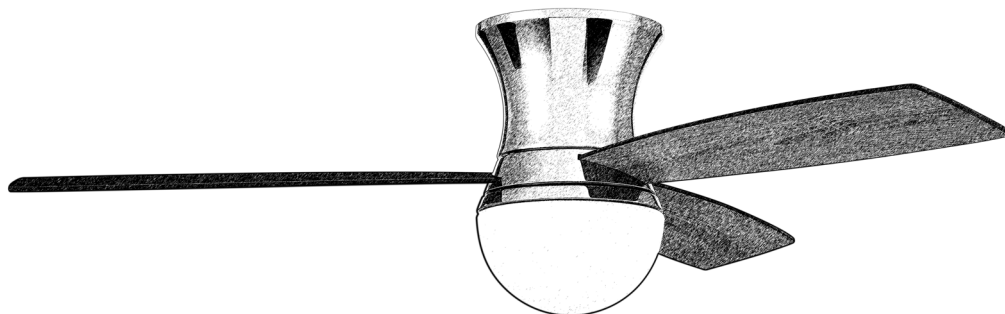


CRAFTMADE™

READ THESE INSTRUCTIONS
AND SAVE THEM FOR FUTURE USE



Daybreak

Installation Guide

For Model:
DBK52

WARNING:
**DC Motor will not
operate until blades
are installed**

Table of Contents:

Safety Tips. pg. 3
Unpacking Your Fan. pg. 4
Parts Inventory. pg. 4
Installation Preparation. pg. 5
Mounting Plate Installation. pg. 5
Preparation for Wiring. pg. 6
Wiring. pg. 6
Fan Assembly. pg. 7
Blade Assembly. pg. 8
Light Kit Assembly. pg. 8
Automated Learning Process./
Activating Code. pg. 9
Remote Control Operation. pg. 10
Smart Ceiling Fan Wi-Fi Control. pg.11
Testing Your Fan. pg. 12
Troubleshooting. pg. 13
Warranty. pg. 13
Parts, Replacement and
Technical Assistance. pg. 13



net weight of fan: 14.99 lb (6,80 kg)

Activating Your New Smart Fan; Downloading the Bond Home App

- Using your smart device, navigate to the application store (Apple App store or Google Play), download the free **Bond Home** app and create account.
- Ensure the fan and receiver are receiving power from the house by supply using the remote control to turn the fan and light ON and OFF.
- Open the **Bond Home App** on your smart device and follow step-by-step instructions included in the app to add your fan.
- Enjoy fan features and functionality that you can only get from activating the fan through the app.

SAFETY TIPS.

WARNING: To reduce the risk of electrical shock, turn off the electricity to the fan at the main fuse box or circuit panel before you begin the fan installation or before servicing the fan or installing accessories.

1. **READ ALL INSTRUCTIONS AND SAFETY INFORMATION CAREFULLY BEFORE INSTALLING YOUR FAN AND SAVE THESE INSTRUCTIONS.**

CAUTION: To avoid personal injury, the use of gloves may be necessary while handling fan parts with sharp edges.

2. Make sure all electrical connections comply with Local Codes or Ordinances, the National Electrical Code, and ANSI/NFPA 70-1999. If you are unfamiliar with electrical wiring or if the house/building wires are different colors than those referred to in the instructions, please use a qualified electrician.
3. Make sure you have a location selected for your fan that allows clear space for the blades to rotate, and at least seven (7) feet (2.13 meters) of clearance between the floor and the fan blade tips. The fan should be mounted so that the tips of the blades are at least thirty (30) inches (76 centimeters) from walls or other upright structures.
4. The outlet box and ceiling support joist used must be securely mounted, and capable of supporting at least 35 pounds (16 kilograms). The box must be supported directly by the building structure. Use only CUL (Canada) or UL (USA) listed outlet boxes marked "FOR FAN SUPPORT."

WARNING: To reduce the risk of fire, electrical shock, or personal injury, mount to the outlet box marked "Acceptable for Fan Support of 15.9 kg (35 lb) or less," and use the mounting screws provided with the outlet box. Most outlet boxes commonly used for the support of lighting fixtures are not acceptable for fan support and may need to be replaced. Consult a qualified electrician if in doubt.

WARNING: To reduce the risk of fire, electrical shock, or personal injury, wire connectors provided with this fan are designed to accept only one 12 gauge house wire and two lead wires from the fan. If your house wire is larger than 12 gauge or there is more than one house wire to connect to the corresponding fan lead wires, consult an electrician for the proper size wire connectors to use.

5. Electrical diagrams are for reference only.
6. After installation is complete, check that all connections are absolutely secure.
7. After making electrical connections, spliced conductors should be turned upward and pushed carefully up into the outlet box. The wires should be spread apart with the grounded conductor and the equipment-grounding conductor on opposite sides of the outlet box.

WARNING: To reduce the risk of serious bodily injury, DO NOT use power tools to assemble any part of the fan, including the blades.

WARNING: To reduce the risk of fire or electrical shock, do not use this fan with any solid state speed control device or control fan speed with a full range dimmer switch. [Using a full range dimmer switch to control fan speed will cause a loud humming noise from fan.]

8. Do not operate the reverse switch until fan has come to a complete stop. [**Note:** If using remote control with reverse capability, reverse fan blade direction only when on LOW speed.]
9. Do not insert anything between the fan blades while they are rotating.

WARNING: To avoid personal injury or damage to the fan and other items, be cautious when working around or cleaning the fan.

10. Do not use water or detergents when cleaning the fan or fan blades. A dry dust cloth or lightly dampened cloth will be suitable for most cleaning.

WARNING: To reduce the risk of personal injury, use **only** parts provided with this fan. **The use of parts OTHER than those provided with this fan will void the warranty.**

WARNING: This fan MUST be installed with the safety cable provided with the fan. Failure to use the safety cable provided may result in personal injury, damage to the fan or damage to other property.

CAUTION: Do NOT tamper with or attempt to repair LED component of fixture. The light source is designed for this specific application and should not be serviced by untrained personnel. If any servicing is required, call our customer service department.

11. Light kit is dimmable to 10% with remote control provided.

Modifications not approved by the party responsible for compliance could void the user's authority to operate the equipment. [The equipment refers to the remote and/or wall control and/or LED light kit.]

NOTE: This equipment has been tested and found to comply with the limits for a Class B digital device, pursuant to Part 15 of the FCC Rules. These limits are designed to provide reasonable protection against harmful interference in a residential installation. This equipment generates, uses and can radiate radio frequency energy and, if not installed and used in accordance with the instructions, may cause harmful interference to radio communications. However, there is no guarantee that interference will not occur in a particular installation. If this equipment does cause harmful interference to radio or television reception, which can be determined by turning the equipment off and on, the user is encouraged to try to correct the interference by one or more of the following measures:

- * Reorient or relocate the receiving antenna.
- * Increase the separation between the equipment and receiver.
- * Connect the equipment into an outlet on a circuit different from that to which the receiver is connected.
- * Consult the dealer or an experienced radio/TV technician for help.

The LED light kit complies with Part 15 of the FCC Rules. Operation is subject to the following two conditions: (1) this LED light kit may not cause harmful interference, (2) this LED light kit must accept any interference received, including interference that may cause undesired operation.

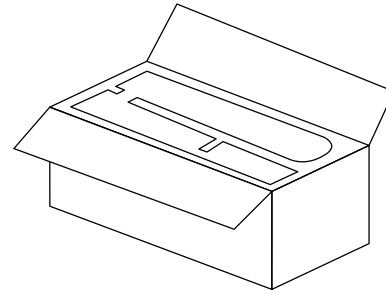
Distributed by: Craftmade, 3901 S. 20th Avenue, DFW Airport, TX 75261; 1800 486-4892

NOTE: The important safety precautions and instructions appearing in the manual are not meant to cover all possible conditions and situations that may occur. It must be understood that common sense and caution are necessary factors in the installation and operation of this fan.

1. Unpacking Your Fan.

Carefully open the packaging. Remove items from Styrofoam inserts. Remove motor housing and place on carpet or Styrofoam to avoid damage to finish. Do not discard fan carton or Styrofoam inserts should this fan need to be returned for repairs.

Check against parts inventory that all parts have been included.



2. Parts Inventory.

a. mounting plate. 1 piece

b. motor housing. 1 piece

c. motor assembly. 1 piece

d. center band. 1 piece

e. fitter plate. 1 piece

f. LED light kit. 1 piece

g. remote control. 1 piece

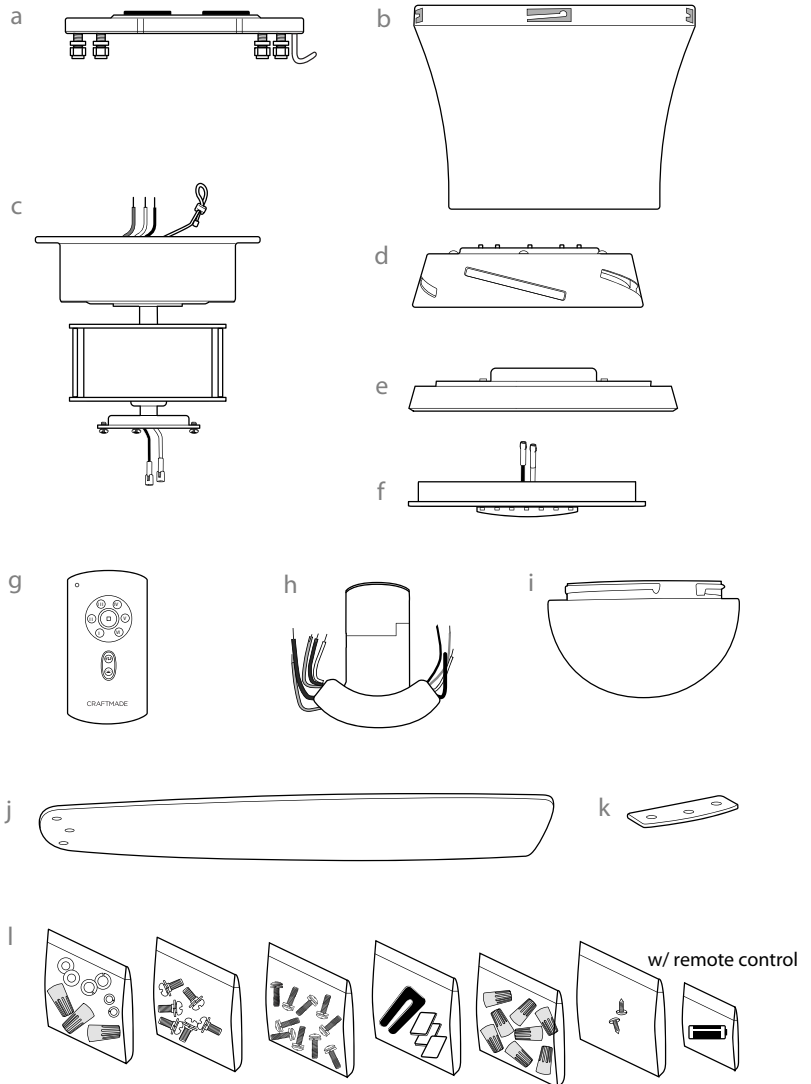
h. remote control receiver. 1 piece

i. shade. 1 piece

j. blade. 3 pieces

k. blade plate. 3 pieces

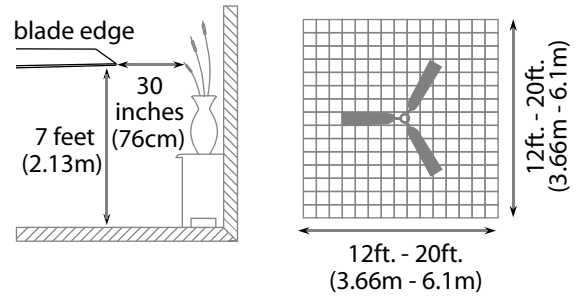
l. hardware packs



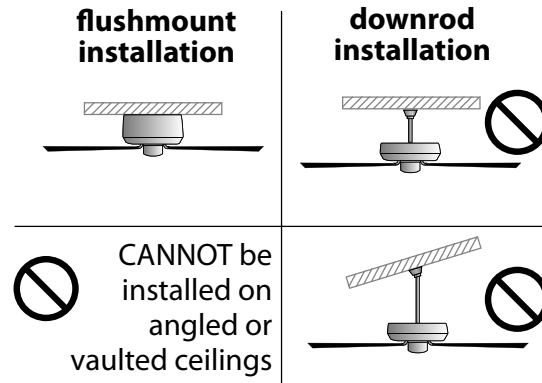
⚠ IMPORTANT REMINDER: You must use the parts provided with this fan for proper installation and safety. **⚠**

3. Installation Preparation.

To prevent personal injury and damage, ensure that the hanging location allows the blades a clearance of 7ft. (2.13m) from the floor and 30in. (76cm) from any wall or obstruction. This fan is suitable for room sizes up to 400 square feet (37.2 square meters).



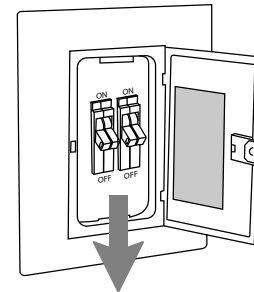
This fan can be mounted as a flushmount on a regular (no-slope) ceiling *only*. **Downrod** installations are **not** available for this fan.



Installation requires these tools:
Phillips screwdriver, flat-head screwdriver, adjustable pliers or wrench, stepladder, wire cutters, and rated electrical tape.

4. Mounting Plate Installation.

Turn off circuit breakers to current fixture from breaker panel and be sure operating light switch is turned to the OFF position.
WARNING: Failure to disconnect power supply prior to installation may result in serious injury.



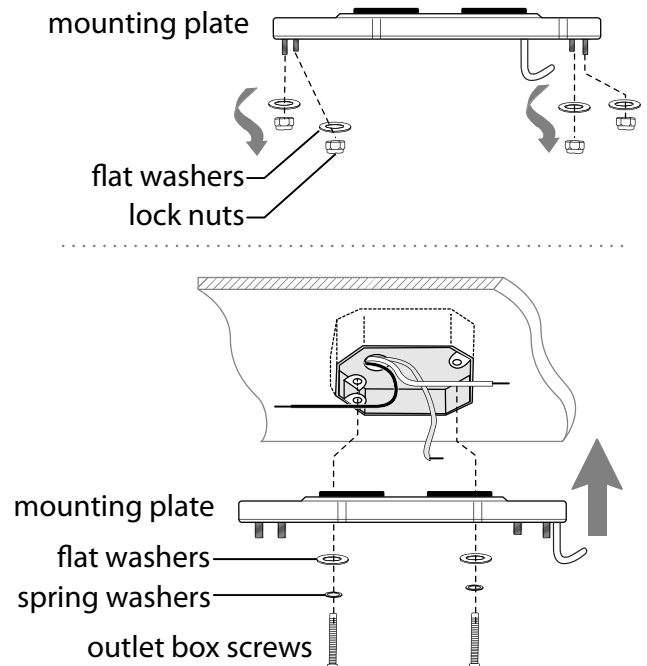
Remove existing fixture.
WARNING: When using an existing outlet box, be sure the outlet box is securely attached to the building structure and can support the full weight of the fan. Ensure outlet box is clearly marked "Suitable for Fan Support." If not, it must be replaced with an approved outlet box. Failure to do so can result in serious injury.

CAUTION: Be sure outlet box is grounded properly and that a ground wire (**GREEN** or bare) is present.

Remove 4 lock nuts and flat washers from mounting plate. Save for later use.

Install mounting plate to outlet box using original screws, spring washers and flat washers provided with new or original outlet box.* Pull electrical wiring from outlet box through center hole in the mounting plate.

***Note:** It is very important that you use the proper hardware when installing the mounting plate as this will support the fan.

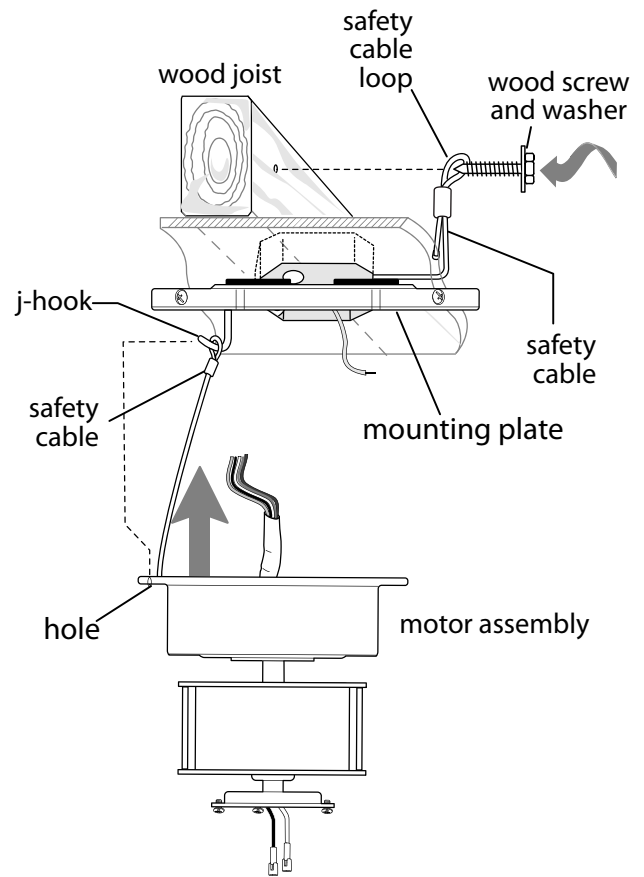


5. Preparation for Wiring.

To prepare fan for wiring, lift motor assembly to mounting plate and then hang motor assembly on j-hook on underside of mounting plate. (Use one of the holes on the rim of the motor assembly or the preassembled safety cable to do so.) This will allow motor assembly to hang out of the way while wiring.

Tip: Seek the help of another person to hold the stepladder in place and to help lift the fan up to you once you are set on the ladder.

After wiring the fan, find a secure attachment point (wood ceiling joist highly recommended) and secure safety cable. It will be necessary to use a heavy duty wood screw, washer and lock washer (not supplied) with the safety cable loop. If necessary, adjust the loop at the end of the safety cable. The loop at the end of the safety cable should just fit over the threads on the wood screw. *Test safety cable by pulling on loose end of cable with pliers. If the safety cable slips, the loop must be adjusted smaller.* Extra cable slack can be left in ceiling area.



6. Wiring.

WARNING: Turn off circuit breakers to current fixture from breaker panel and be sure switch is turned to the OFF position.

CAUTION: Be sure outlet box is properly grounded and that a ground wire (**GREEN** or Bare) is present.

Make sure all electrical connections comply with Local Codes or Ordinances and the National Electrical Code. If you are unfamiliar with electrical wiring or if the house/building wires are different colors than those referred to in the diagram to the right, please use a qualified electrician.

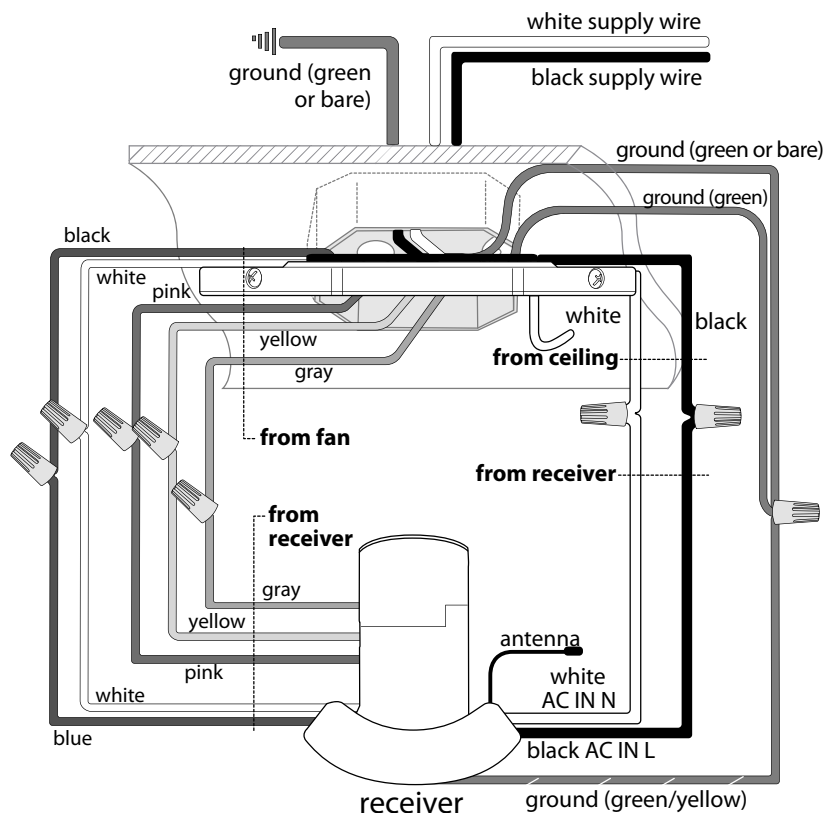
Note: Excess lead wire length from the fan can be cut to the desired length and then stripped.

Once motor assembly has been temporarily hung on the j-hook on the mounting plate, **WIRE THE RECEIVER** with wire connectors provided as shown in diagram at right.

Tip: While you are wiring, keep in mind that wires must not obstruct receiver.

* Wrap each wire connector separately with electrical tape as an extra safety measure.

Gently insert receiver (flat side up) into mounting plate and carefully push wires and taped wire connectors into outlet box. Let antenna rest outside of mounting plate.



(wiring for receiver)



7. Fan Assembly.

Remove motor assembly from j-hook on mounting plate. Then, raise motor assembly to mounting plate again, aligning holes in top plate of motor assembly with screws in mounting plate. Re-insert the 4 flat washers and 4 lock nuts previously removed (page 5, Section 4) to secure motor assembly. Tighten all 4 lock nuts. [Refer to **diagram 1**]

Note: Gap on top of motor assembly must align with j-hook for the proper fit. Make sure wires and wire connectors do not get tangled or pinched between the plates.

Raise motor housing to mounting plate, aligning 4 metal bars on the inside edge of motor housing with 4 posts on edge of mounting plate. Twist motor housing to the RIGHT to lock. [Refer to **diagram 2**]

WARNING: It is important that you make sure to turn the motor housing all the way to the right to ensure that the motor housing is completely secure.

Locate 5 center band screws/washers in hardware pack. Insert tabs and align holes in center band with screw holes in motor assembly, allowing motor plate to come through hole in middle of center band. Insert screws/washers and securely tighten all 5 screws/washers with a Phillips screwdriver. [Refer to **diagram 3**]

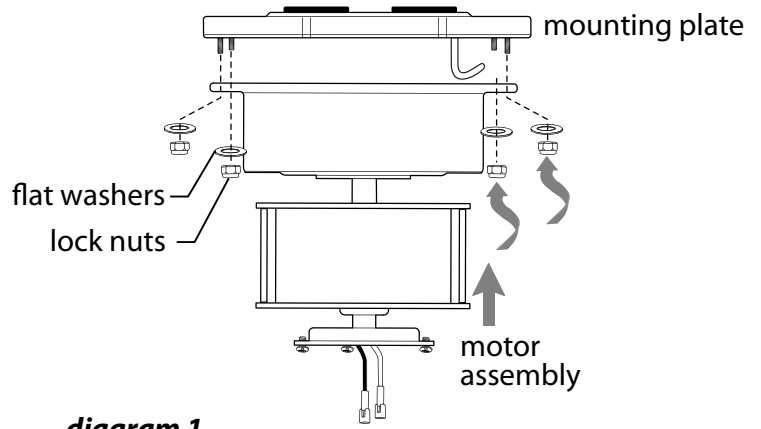


diagram 1

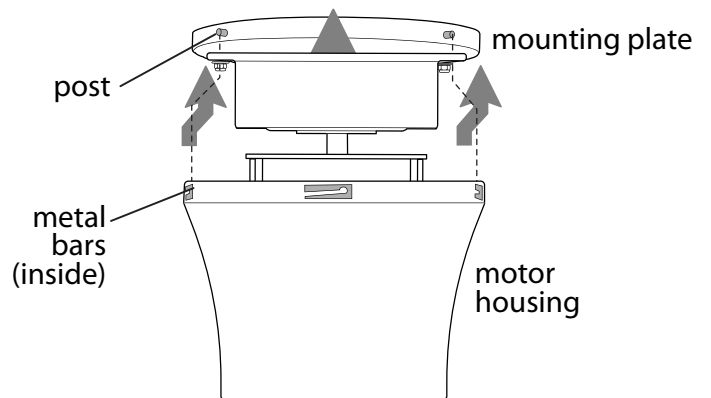


diagram 2

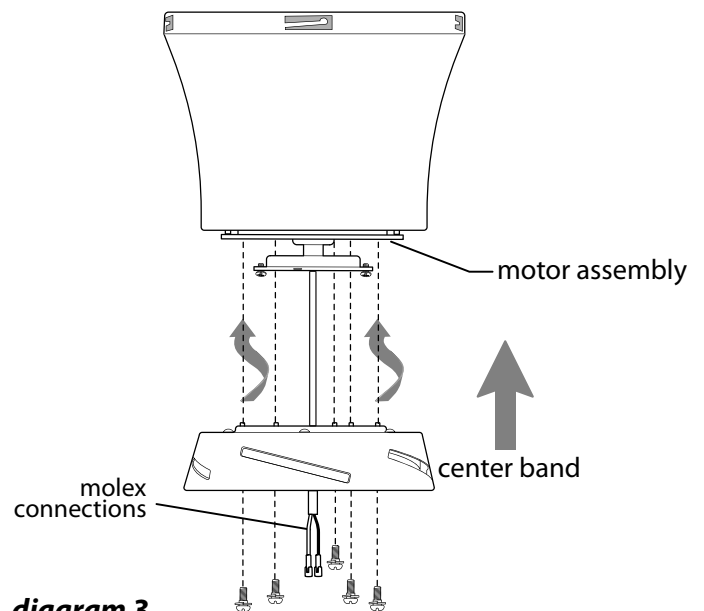


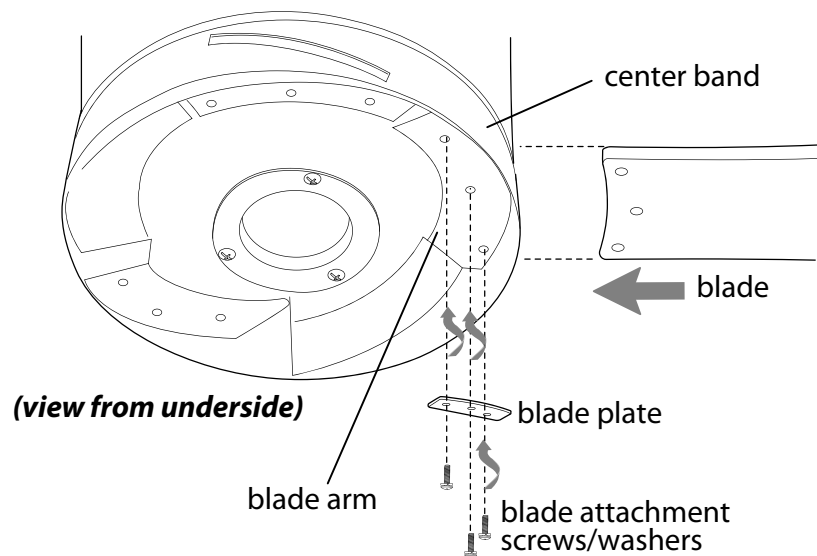
diagram 3

8. Blade Assembly.

WARNING: To reduce the risk of serious bodily injury, DO NOT use power tools to assemble the blades. If overtightened, blades may crack and break.

Locate 3 blade plates and 9 blade attachment screws/washers in hardware pack. Slide a blade through one of the narrow, rectangular openings on the center band, aligning holes in blade with holes in blade arm located on the underside of the center band -- **refer to drawing at right**. Hold 1 blade plate up to a blade, and align holes as shown. Insert 3 blade attachment screws/washers with fingers first and then tighten screws securely with a Phillips screwdriver. Repeat procedure for each remaining blade.

NOTE: Tighten blade attachment screws twice a year.



9. Light Kit Assembly.

Remove 1 screw from motor plate on underside of motor assembly and partially loosen the other 2 screws. Align slotted holes in fitter plate with loosened screws in motor plate, allowing molex connections from motor assembly to come through holes in middle of fitter plate. Twist fitter plate to lock. Re-insert screw that was just removed and securely tighten all 3 screws with a Phillips screwdriver.

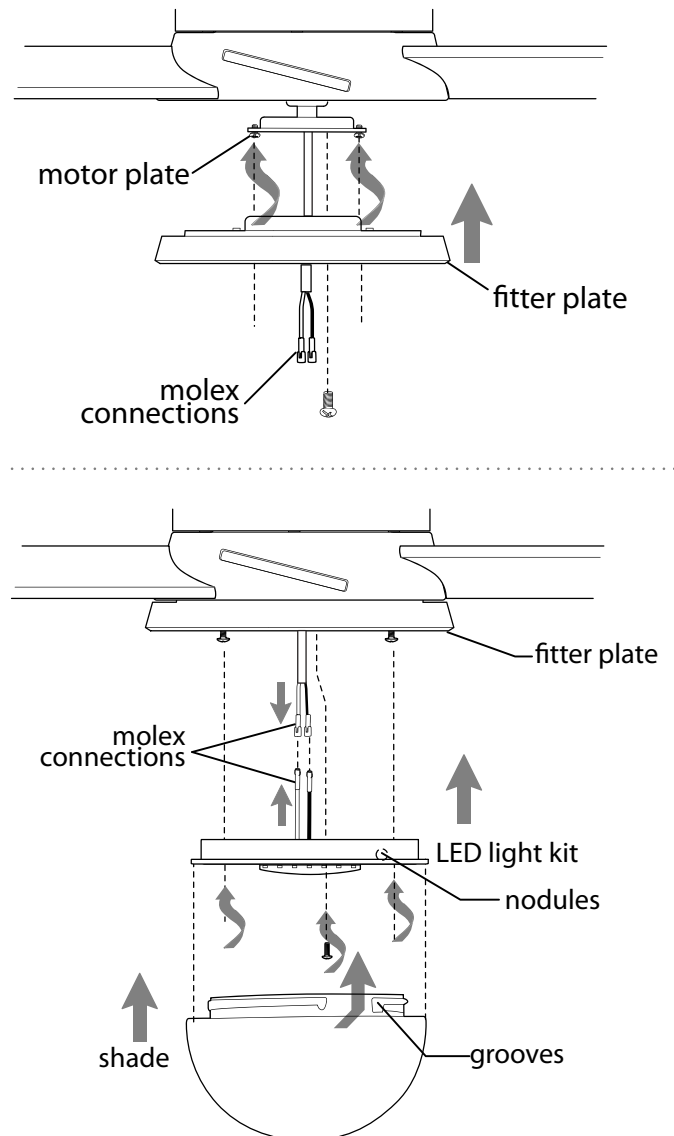
Remove 1 screw from underside of fitter plate and partially loosen the other 2 screws.

Connect **WHITE** wire from LED light kit to **WHITE** wire from motor assembly. Connect **BLACK** wire from LED light kit to **BLACK** (or **BLUE**) wire from motor assembly. Be sure that molex connections snap together completely.

Carefully arrange wiring within fitter plate. Align slotted holes in LED light kit with loosened screws in fitter plate. Twist LED light kit to lock. Re-insert screw that was previously removed and tighten all 3 screws securely.

Align grooves on shade with nodules on inside of LED light kit and push up gently on shade. Twist shade to the **RIGHT** (clockwise) until shade locks into place.

Note: Pull down **VERY GENTLY** on shade to make sure that shade is secure.



10. Automated Learning Process./Activating Code.

CAUTION: The remote control can be programmed to multiple receivers or fans. If this is not desired, turn wall switch off to any other programmable receiver or fan.

Remove battery cover on back side of remote control. Install one 12-volt battery (included).

Restore electrical power. Within 60 seconds of restoring the power, press and hold the fan **SET** button for 5 seconds or until light blinks three times. Then replace the battery cover.

NOTE: Remove batteries with low or no charge and dispose of properly.

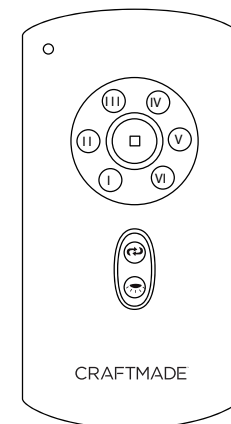
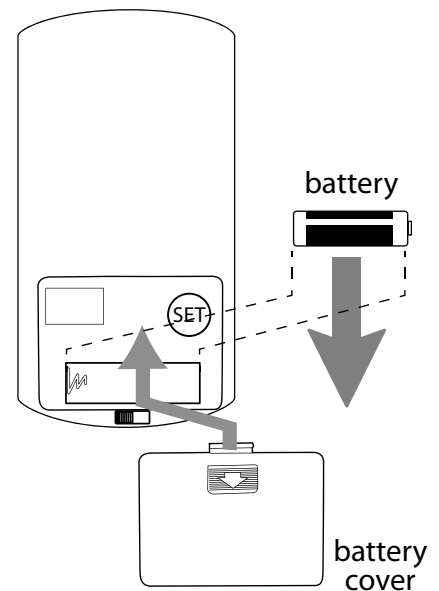
IMPORTANT: Store the remote control transmitter away from excess heat or humidity. To prevent damage to remote control transmitter, remove battery if remote control transmitter will not be used for long periods.

CAUTION: "DO NOT DISPOSE OF BATTERIES IN FIRE, BATTERIES MAY EXPLODE OR LEAK." - When disposing of household alkaline batteries, it is best to check with your local and state recycling or household hazardous waste coordinators concerning the specifics of the program in your area. You may also locate a recycling center by calling 1-800-8-BATTERY or 1-877-2-RECYCLE or visit www.epa.gov/recycle or www.earth911.org for more information.

WARNING: Choking Hazard - Small parts. Keep battery away from children.

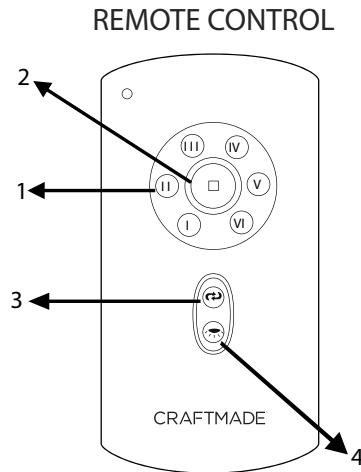
WARNING: Non-rechargeable batteries are not to be recharged; Do not mix different types of batteries such as alkaline, carbon-zinc, or rechargeable batteries; Do not mix old and new batteries; Batteries are to be inserted with the correct polarity; Exhausted batteries are to be removed from the product.

REMOTE CONTROL
(back)



REMOTE CONTROL
(front)

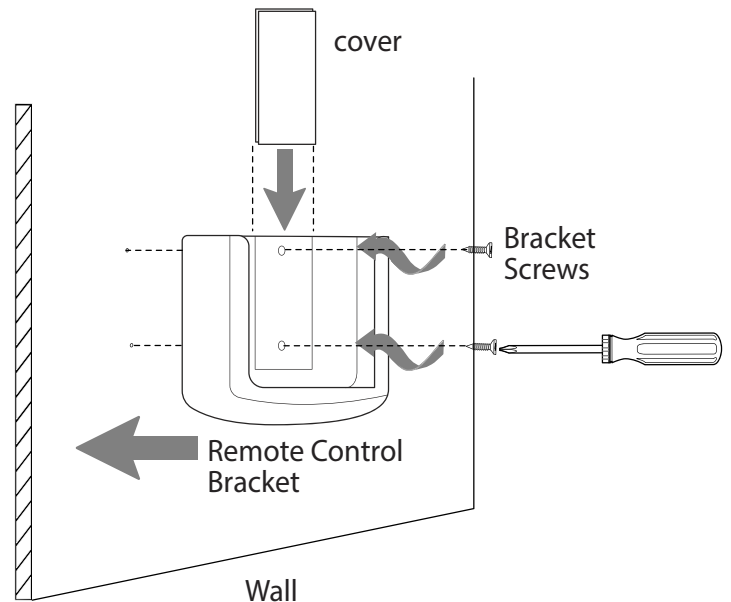
11. Remote Control Operation.



- Fan **SPEED** buttons--1: Use to control ceiling fan speeds 1-6
- Fan **OFF** button--2: Use to turn the fan off
- REVERSE** function button--3: Use to control fan direction
- LIGHTING** button--4: Use to control down-light and up-light (if applicable); Dims light when pressed and held down

IMPORTANT: *The Automated Learning Process takes approximately 5 minutes to complete.* Please **leave the fan "ON"** for the duration of the 5-minute programming and **do NOT use the remote control or turn off the power** during this time. The fan will **cycle through ALL SIX (6) speeds in forward and reverse** and will **then stop automatically** after the learning process is complete.

If you wish to use the remote control bracket, install screws from remote pack through bracket and into the desired installation site as shown. The remote control rests on the bracket.



12. Smart Ceiling Fan Wi-Fi Control (Optional).

Without Wi-Fi activation, you will not enjoy the expanded features and functionality of your ceiling fan: Breeze speed setting, Creating Schedules and Voice Activation.

To enjoy all the potential of your new device, refer to the following steps to complete Smart setup.


1. Download the **Bond Home App**, available on the Google Play Store and Apple App Store, or use the QR code to download the app.
2. Open the **Bond** application.
3. If you already have a **Bond** account, simply log in and continue to Step 4. If you do not have a **Bond** account, press "**Create Account**" and enter your name, email and create a password.
4. Select "+" to add a device.
5. Select "**Smart By Bond**" (SBB).
6. Select this smart ceiling fan.
7. Once the **Bond** application connects to the fan, select "**CONTINUE**" to proceed.
8. Test the fan functions:
 - You have the option to disable the light function if your fan does not have a light.
9. Select "**YES, IT WORKS.**"
10. Specific information about your fan:
 - Select "**Location**" and choose from one of the predefined entries or add your own by selecting "**OTHER**". When finished, select "**Save**".
 - Select device name and enter the name for your device. When finished, select "**OK**" to save.
PLEASE NOTE: This name will be used for integrations so a simple, easy-to-remember name is best.
11. Select "**Continue**".
12. Select the Wi-Fi network you would like to connect the SBB to.
13. Enter the Wi-Fi password and select "**OK**".
14. If there is an issue with the connection or wrong password is entered, you will receive an error message. Select "**OK, I've Got It**".
15. Once the connection is made, select "**DONE**".
16. If the SBB fan is not displayed in the Bond application, swipe down to refresh.




For assistance at any time during this process, go to the "**Help**" section of the app:

- Tap on "**Settings**"
- Tap on "**Help Center**"
- Choose "**Open a Ticket**" or "**Live Chat**"

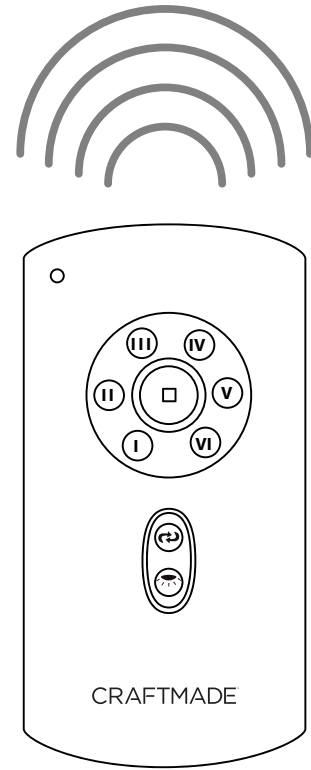
13. Testing Your Fan.

It is recommended that you test fan before finalizing installation. Restore power from circuit box and wall switch (if applicable). Test fan speeds with the different fan speed buttons (I - VI) on remote control. Test the light ON/OFF function by pressing the  button; If the remote control operates all of the functions of the fan, battery has been installed correctly. If the remote control do (does) not operate all of the fan functions, refer to "Troubleshooting" section to solve any issues before contacting Customer Service.

Fan must be on LOW before setting the fan in reverse. Use  button to recirculate air depending on the season. A ceiling fan will allow you to raise your thermostat setting in summer and lower your thermostat setting in winter without feeling a difference in your comfort.

NOTE: If the remote control interferes with other appliances, activate a new code on the remote control by **turning the power off first**. Go back to the instructions for the SET button in Section 10 (page 9).

IMPORTANT: Remote control must be synchronized with fan in order to properly function.



Troubleshooting.

WARNING: *Failure to disconnect power supply prior to troubleshooting any wiring issues may result in serious injury.*

Problem: Fan fails to operate.

Solutions:

1. Check wall switch to fan.
2. Check to be sure fan is wired properly.
3. Learning process between fan and remote control may not have been successful and code was not activated. Turn off power and repeat instructions for SET button in Section 10 (page 9).
4. Check that red light on remote control turns on when a button is pressed indicating that the battery is good.

Problem: Light kit not lighting.

Solutions:

1. Check wall switch to fan.
2. Check to be sure wires in motor assembly are wired properly.
3. Verify that moxex connections in LED light kit are properly connected.
4. Learning process between fan and remote control may not have been successful and code was not activated. Turn off power and repeat instructions for SET button in Section 10 (page 9).

Problem: Fan and light fail to operate with remote control.

Solutions:

1. Check battery power to remote control.
2. Learning process between fan and remote control may not have been successful and code was not activated. Turn off power and repeat instructions for SET button in Section 10 (page 9).

Problem: Fan wobbles.

Solutions:

1. Use the balancing kit provided in one of the hardware packs. *If no blade balancing kit is provided, please call Customer Support, 1-800-486-4892, to request one.*
2. Carefully loosen motor housing and verify that mounting plate and motor assembly are secure.
3. Check to be sure motor housing is turned completely.

Warranty.

CRAFTMADE™ LIFETIME LIMITED WARRANTY:

CRAFTMADE warrants this fan for use as intended under the following provision: CRAFTMADE will replace any fan which has faulty performance due to a defect in material or workmanship or fails to operate satisfactorily when failure results from normal use. Contact Craftmade Customer Service at **1-800-486-4892, Option 1** or via email at **customerservice@craftmade.com**.

In the event a product is no longer available, CRAFTMADE will make best efforts to offer a comparable product or credit towards another CRAFTMADE fan.

The purchaser shall be responsible for all costs incurred in the removal and reinstallation.

This warranty does not apply when damage from mechanical, physical, electrical or water abuse results in causing the malfunction. Deterioration of finishes or other parts due to time or exposure to salt air is specifically exempted under this warranty. Glass globes and light bulbs are not covered by this warranty but will be replaced if found broken at time of purchase.

Neither CRAFTMADE nor the manufacturer will assume any liability resulting from improper installation or use of this product. In no case shall the company be liable for any consequential damages for breach of this, or any other warranty expressed or implied whatsoever. This limitation as to consequential damages shall not apply in states where prohibited.

Parts, Replacement or Technical Assistance.

For parts, replacement, technical assistance or additional information, please have the fan model number, name or picture available and contact Craftmade in one of the following ways:

Customer Support:

1-800-486-4892, Option 1

Technical Support:

1-800-486-4892, Option 2

Email:

customerservice@craftmade.com

www.craftmade.com

CRAFTMADE™