

CRAFTMADE™

GLENDAL 56253

PLEASE READ AND SAVE FOR FUTURE REFERENCE.

CAUTION

1. Turn off the main power at the circuit breaker before installing the fixture in order to prevent possible shock.
2. All electrical connections must be in accordance with local and National Electrical Code (N.E.C.) standards. If you are unfamiliar with proper electrical wiring connections, obtain the services of a qualified electrician.

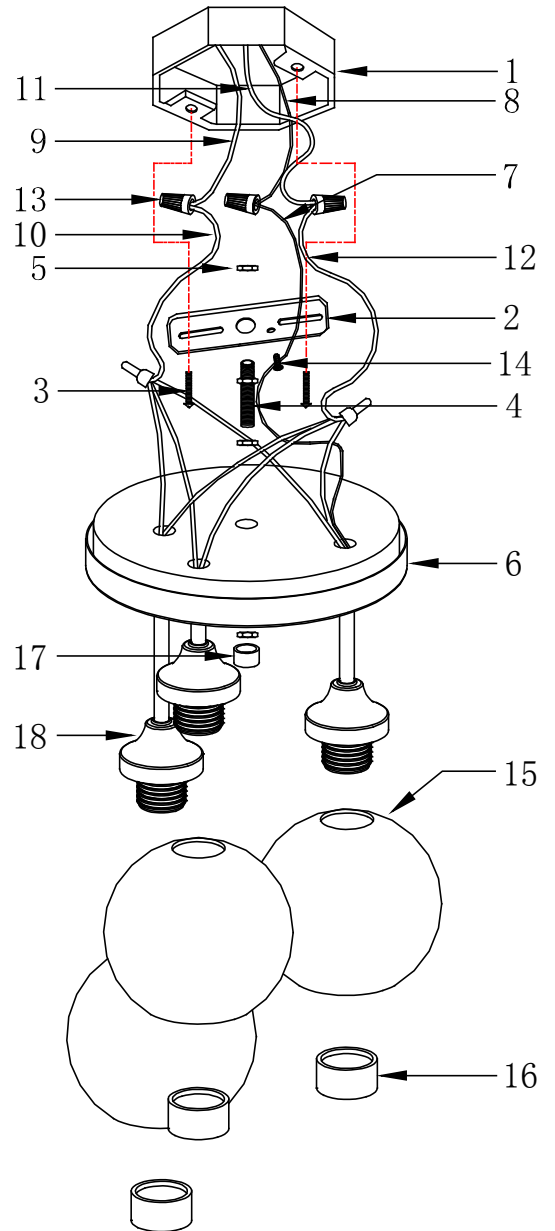
GENERAL

Remove all parts and hardware from the box and make sure that none are missing by referencing the illustrations provided.

Bulbs Required (not included): 3 -Medium Base 60 Watt Max.

3-LIGHT SEMI FLUSHMOUNT

1. OUTLET BOX (not included)
2. MOUNTING STRAP
3. OUTLET BOX SCREWS
4. THREADED ROD(pre-attached)
5. HEX NUTS(pre-attached)
6. CANOPY
7. FIXTURE GROUND WIRE
8. SUPPLY GROUND WIRE (not included)
9. WHITE SUPPLY WIRE(not included)
10. RIBBED(or WHITE)FIXTURE LEAD WIRE
11. BLACK SUPPLY WIRE(not included)
12. SMOOTH(or BLACK)FIXTURE LEAD WIRE
13. WIRE CONNECTORS
14. GROND SCREW
15. GLASS SHADE
16. SOCKET RING
17. FINIAL
18. FIXTURE SOCKET



Customer Service: 1 (800) 486-4892