

# CRAFTMADE

Foxwood #53691-BNK/#53691-FBDT/ #53693-BNK/#53693-FBDT

PLEASE READ AND SAVE FOR FUTURE REFERENCE.

## CAUTION

1. Turn off the main power at the circuit breaker before installing the fixture in order to prevent possible shock.
2. All electrical connections must be in accordance with local and National Electrical Code (N.E.C.) standards. If you are unfamiliar with proper electrical wiring connections, obtain the services of a qualified electrician.

## GENERAL

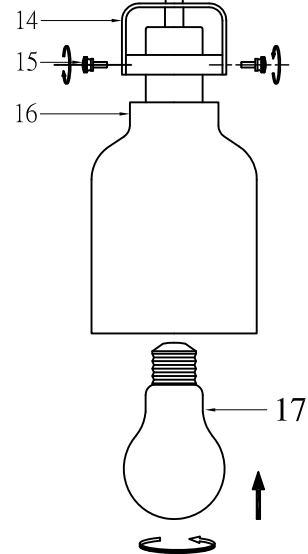
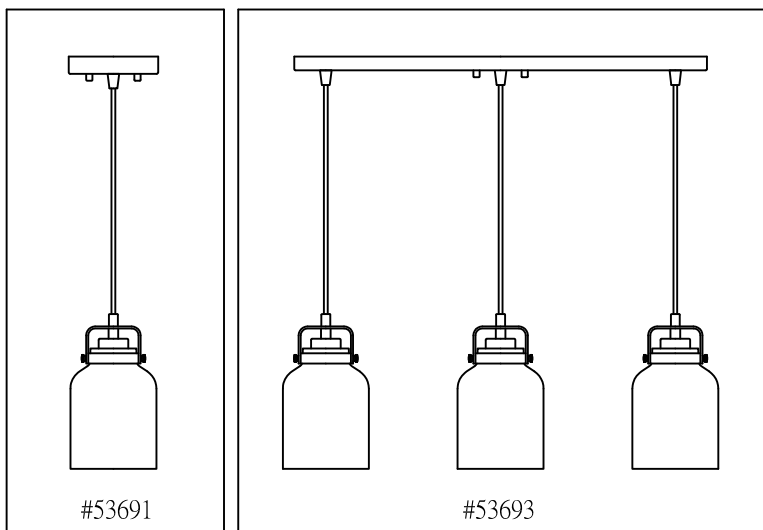
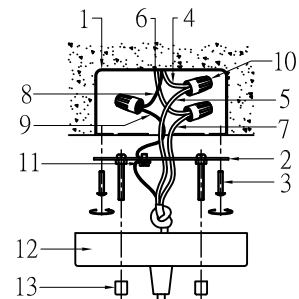
Remove all parts and hardware from the box and make sure that none are missing by referencing the illustrations provided.

**Bulbs Required (not included):** 1 Medium Base 60Watt Max.(For 1-Light Mini Pendant)

## CHANDELIER

3 Medium Base 60Watt Max.(For 3-Light Pendant)

1. OUTLET BOX (not included)
2. MOUNTING PLATE (pre-attached)
3. OUTLET BOX SCREWS and WASHERS (pre-attached to outlet box)
4. BLACK SUPPLY WIRE (not included)
5. SMOOTH (or BLACK) FIXTURE LEAD WIRE
6. WHITE SUPPLY WIRE (not included)
7. RIBBED (or WHITE) FIXTURE LEAD WIRE
8. SUPPLY GROUND WIRE (not included)
9. FIXTURE GROUND WIRE
10. WIRE CONNECTORS
11. GROUND SCREW (pre-attached)
12. CANOPY
13. NUT
14. FIXTURE
15. GLASS SCREWS
16. GLASS SHADE
17. BULB (not included)



Customer Service: 1 (800) 486-4892