

CRAFTMADE™

THATCHER #50602-FB /#50602-FBBNK /#50602-FBSB
#50603-FB /#50603-FBBNK /#50603-FBSB
#50604-FB /#50604-FBBNK /#50604-FBSB

PLEASE READ AND SAVE FOR FUTURE REFERENCE.

CAUTION

1. Turn off the main power at the circuit breaker before installing the fixture in order to prevent possible shock.
2. All electrical connections must be in accordance with local and National Electrical Code (N.E.C.) standards. If you are unfamiliar with proper electrical wiring connections, obtain the services of a qualified electrician.

GENERAL

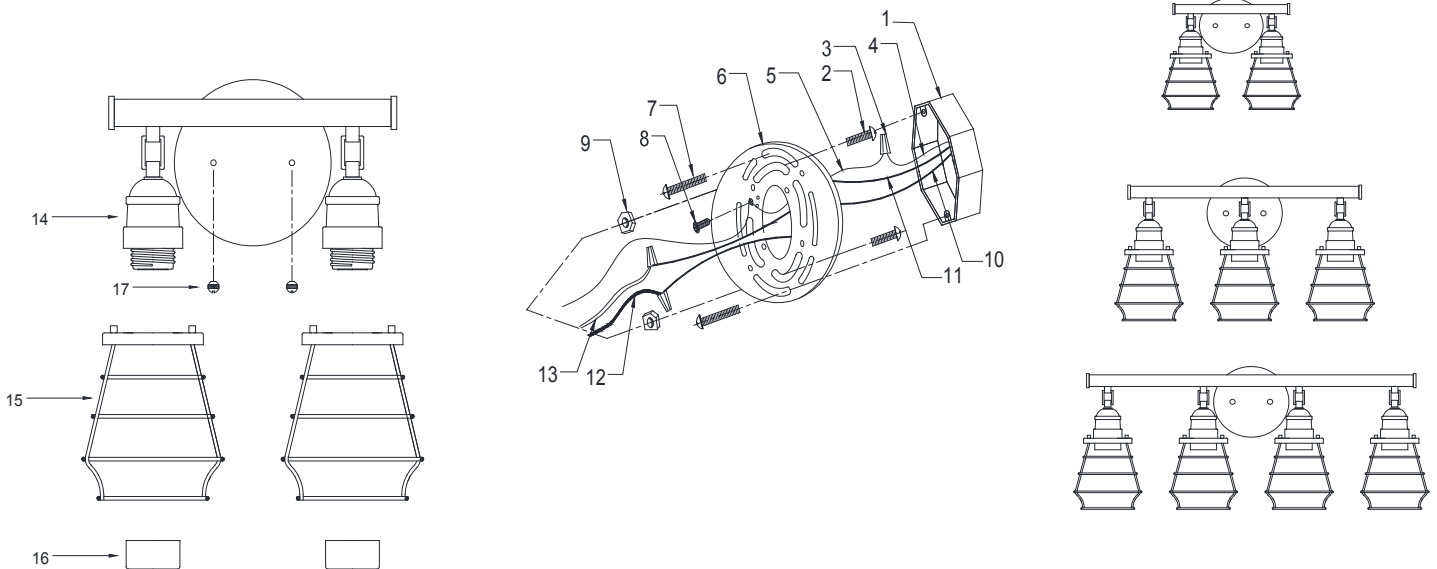
Remove all parts and hardware from the box and make sure that none are missing by referencing the illustrations provided.

- Bulb Required (not included):** 2 -Medium Base 100 Watt Max. (for 2-Light Vanity)
3 -Medium Base 100 Watt Max. (for 2-Light Vanity)
4 -Medium Base 100 Watt Max. (for 2-Light Vanity)SS

2-LIGHT VANITY

3-LIGHT VANITY

4-LIGHT VANITY



1. OUTLET BOX (NOT INCLUDED)
2. FIXTURE SCREW
3. WIRE CONNECTOR
4. SUPPLY GROUND WIRE(not included)
5. FIXTURE GROUND WIRE
6. BACK PLATE
7. MOUNTING SCREW
8. GROUND SCREW
9. HEX NUT
10. BLACK SUPPLY WIRE(not included)

11. WHITE SUPPLY WIRE
12. SMOOTH(or black)FIXTURE LEAD WIRE
13. RIBBED(or white)FIXTURE LEAD WIRE
14. FIXTURE
15. SHADES
16. SOCKET RING(pre-attached)
17. DECORATIVE NUT(pre-attached)