

CRAFTMADE™

THATCHER #50601-FB /#50601-FBBNK /#50601-FBSB

PLEASE READ AND SAVE FOR FUTURE REFERENCE.

CAUTION

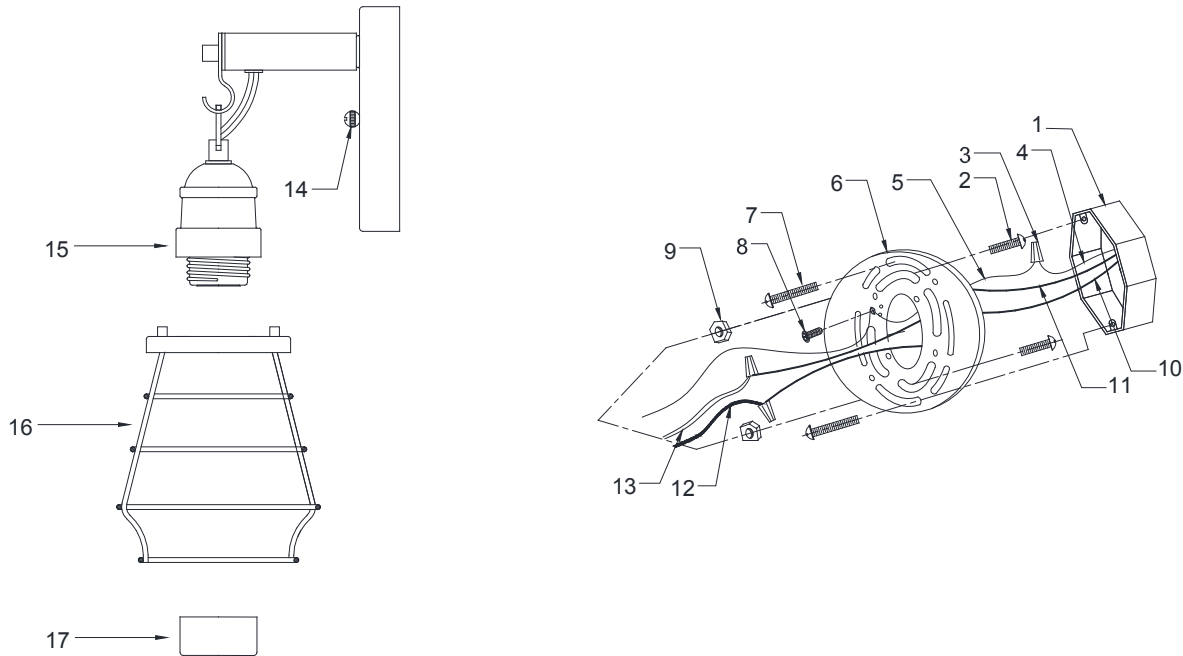
1. Turn off the main power at the circuit breaker before installing the fixture in order to prevent possible shock.
2. All electrical connections must be in accordance with local and National Electrical Code (N.E.C.) standards. If you are unfamiliar with proper electrical wiring connections, obtain the services of a qualified electrician.

GENERAL

Remove all parts and hardware from the box and make sure that none are missing by referencing the illustrations provided.

Bulb Required (not included): 1 -Medium base 100 Watt Max. (for 1-Light Vanity)

1-LIGHT VANITY



1. OUTLET BOX (NOT INCLUDED)
2. FIXTURE SCREWS
3. WIRE CONNECTOR
4. SUPPLY GROUND WIRE(not included)
5. FIXTURE GROUND WIRE
6. BACK PLATE
7. MOUNTING SCREW
8. GROUND SCREW
9. HEX NUT
10. WHITE SUPPLY WIRE(not included)

11. BLACK SUPPLY WIRE(not included)
12. RIBBED(or WHITE) FIXTURE LEAD WIRE
13. SMOOTH(or black)FIXTURE LEAD WIRE
14. DECORATIVE NUT
15. FIXTURE
16. SHADE
17. SOCKET RING(pre-attached)SS